

**SKYLARK (A183/A184)**

**PARTS CATALOG**

## **PARTS CATALOG**

### **INTRODUCTION**

This chapter instructs you the numbers and names of parts on this machine.

### **INDEX to PARTS CATALOG**

# **SKYLARK**

# **(A183/A184)**

**SKYLARK (A183/A184)**

## PARTS CATALOG

### INTRODUCTION

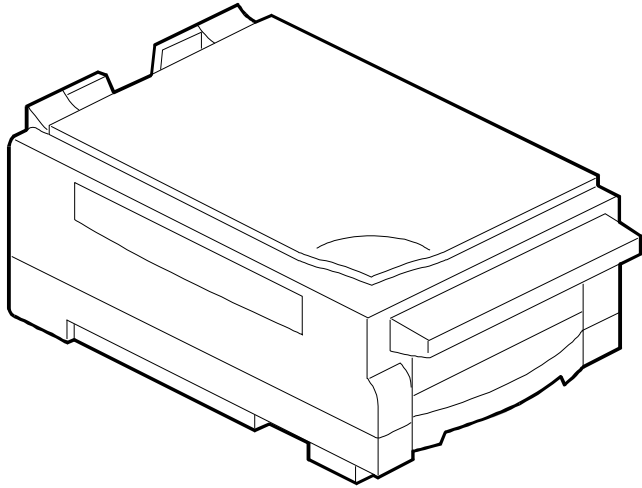
This chapter instructs you the numbers and names of parts on this machine.

### INDEX to PARTS CATALOG

<b>Location of Unit .....</b>	<b>2</b>
1.EXTERIOR (A183/A184) .....	4
2.OPTICS SECTION 1 (A183/A184) .....	6
3.OPTICS SECTION 2 (A183/A184) .....	8
4.OPTICS SECTION 3 (A183/A184) .....	10
5.PAPER TRAY (A183/A184).....	12
6.IMAGING UNIT (A183/A184) .....	14
7.FUSING UNIT (A183/A184) .....	16
8.DRIVE SECTION (A183/A184) .....	18
9.ELECTRICAL SECTION (A183/A184) .....	20
10.MAIN CONTROL BOARD (A183/A184) .....	22
11.DECAL AND DOCUMENT (A183/A184).....	26
12.SPECIAL TOOLS AND LUBRICATIONS (A183/A184).....	28
<b>Parts Index .....</b>	<b>31</b>

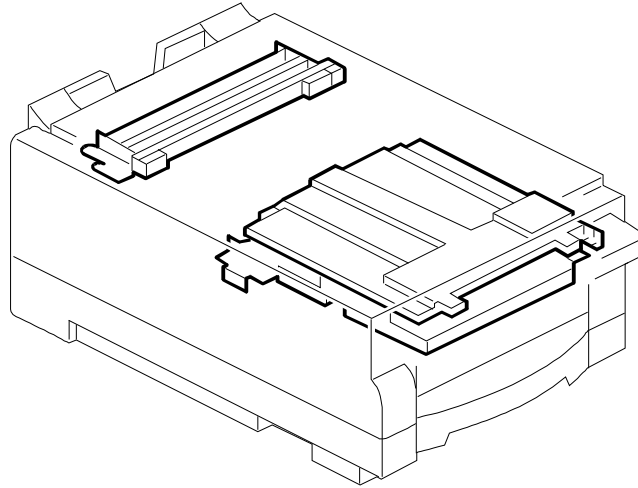
## Location of unit

1. EXTERIOR (A183/A184)



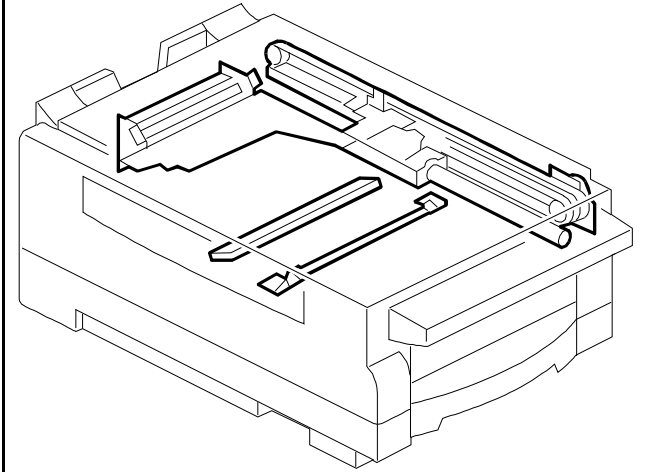
See Page 4

2. OPTICS SECTION 1 (A183/A184)



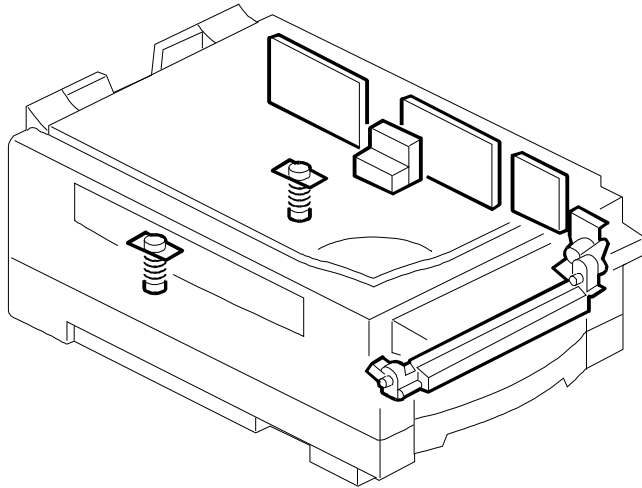
See Page 6

3. OPTICS SECTION 2 (A183/A184)



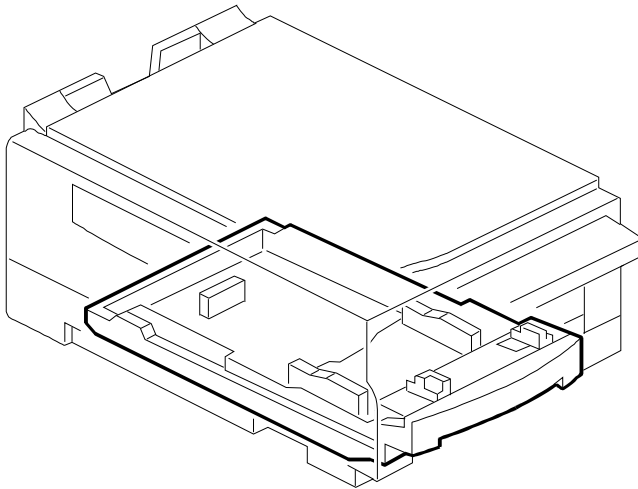
See Page 8

4. OPTICS SECTION 3 (A183/A184)



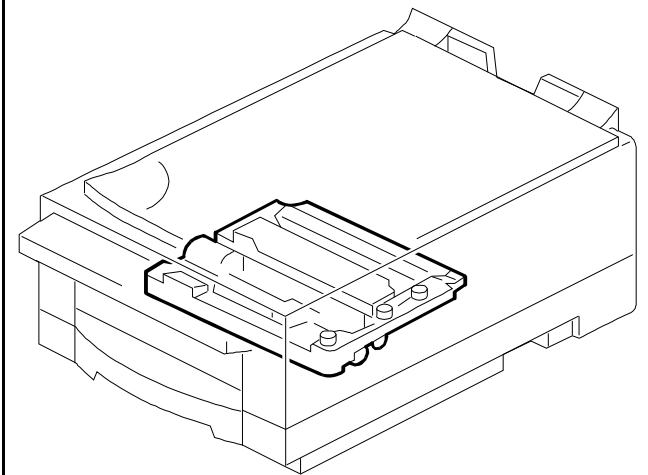
See Page 10

5. PAPER TRAY (A183/A184)



See Page 12

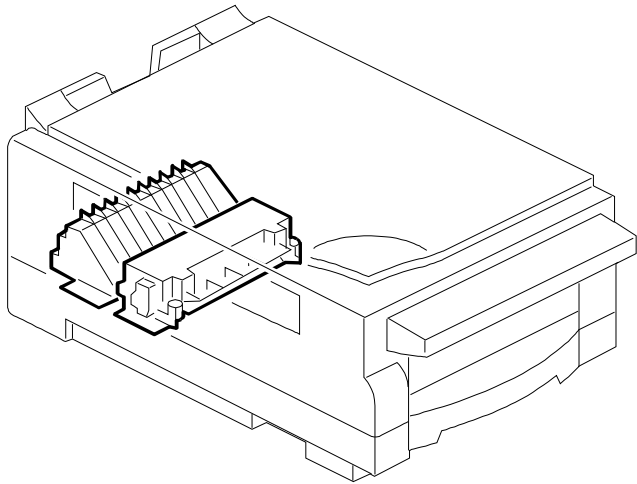
6. IMAGING UNIT (A183/A184)



See Page 14

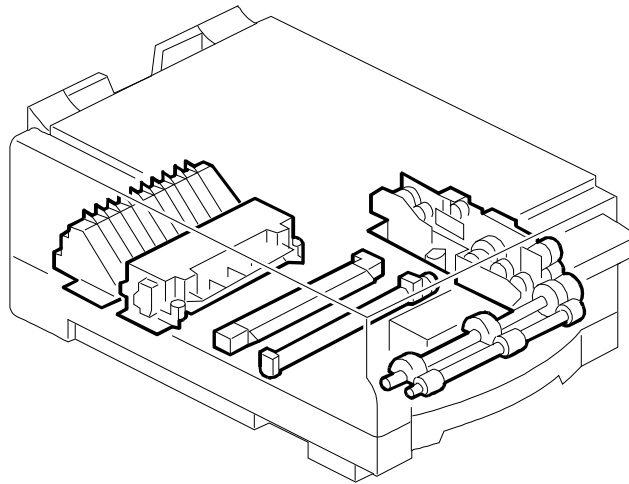
## Location of unit

7. FUSING UNIT (A183/A184)



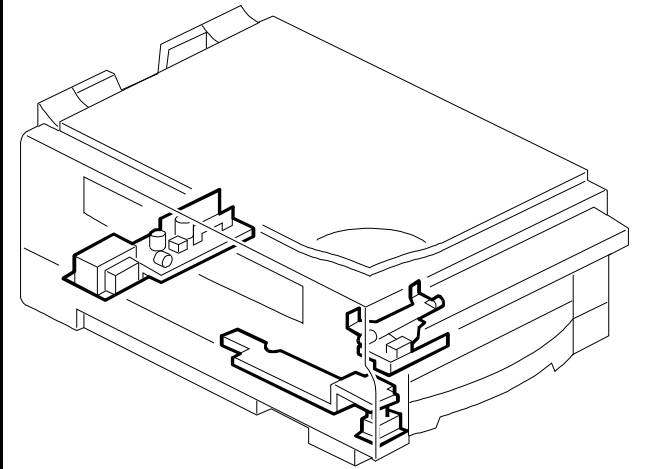
See Page 16

8. DRIVE SECTION (A183/A184)



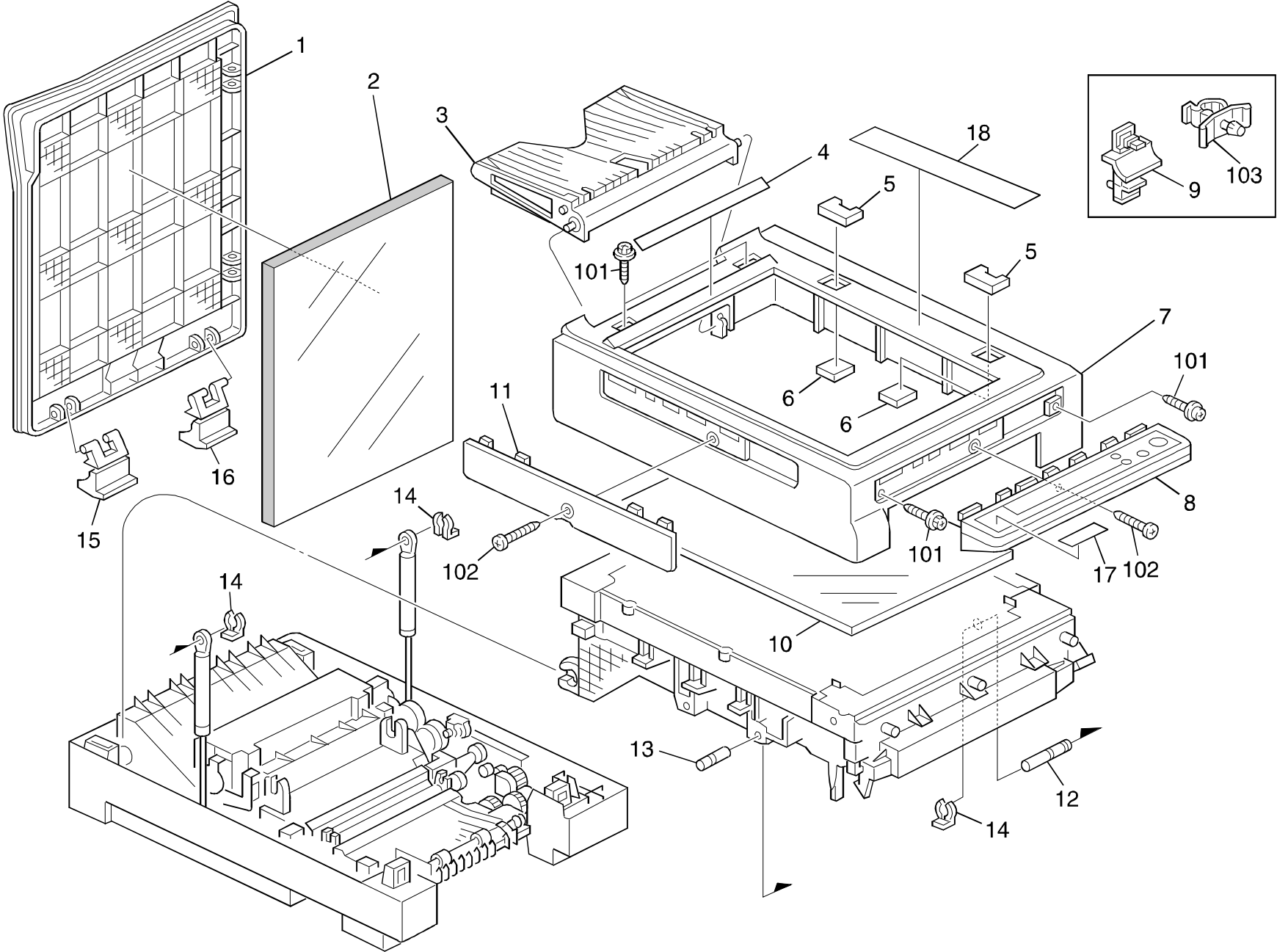
See Page 18

9. ELECTRICAL SECTION (A183/A184)




See Page 20

1. EXTERIOR (A183/A184)



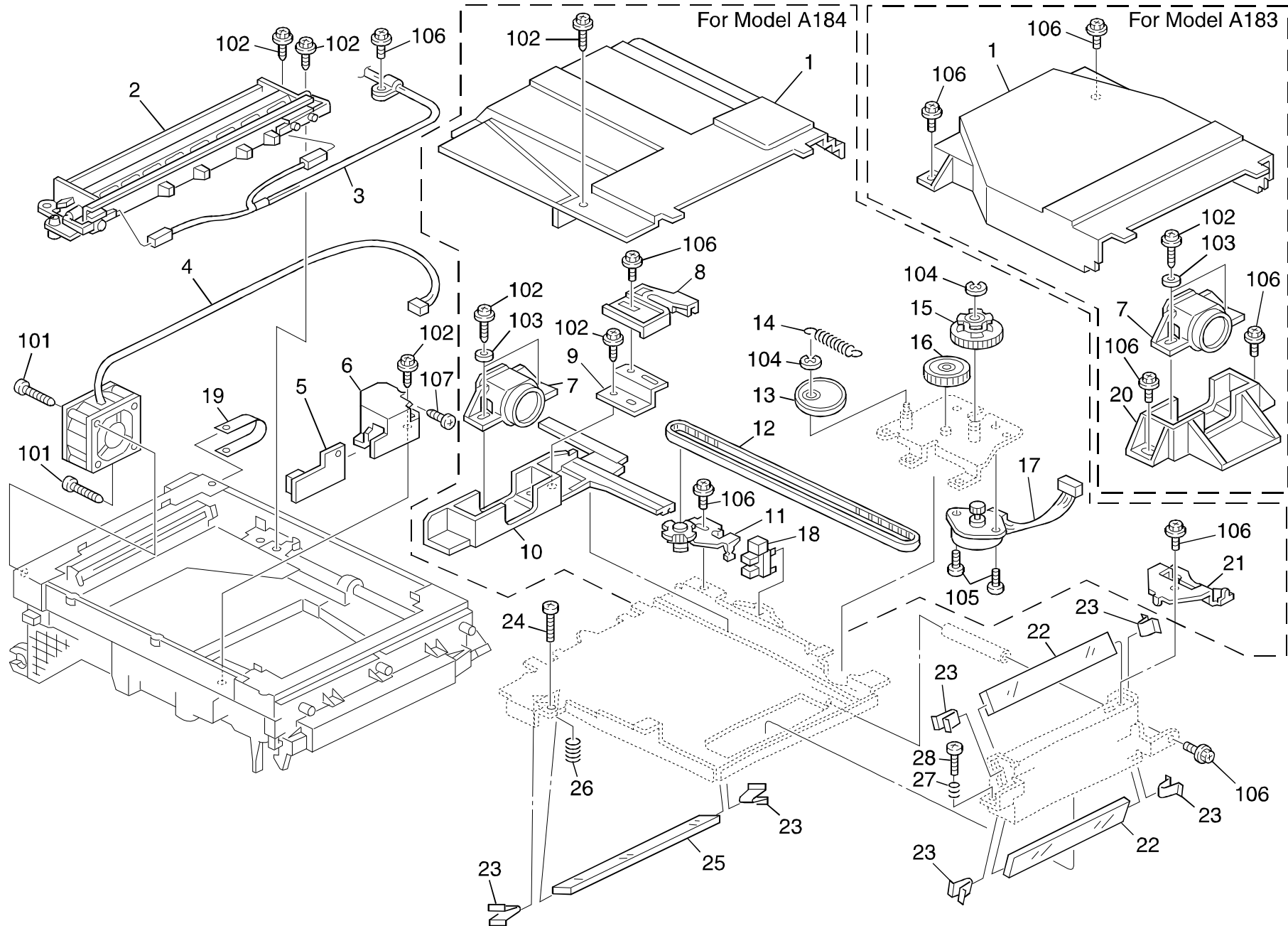
## 1. EXTERIOR (A183/A184)

Index No.	Part No.	Description	Qty Per Assembly
1	A184 1480	Platen cover	1
1	A184 1486	Platen Cover (RIC-NA)	1
2	A184 1481	Platen Cover Sheet	1
3	A184 1471	Upper Copy Tray	1
4	A184 1472	Decal - Original Size (RIC-NA)	1
4	A184 1473	Decal - Original Size	1
5	A184 1473	Position Cover	2
6	A184 1474	Shielding Cover	2
7	A184 1470	Upper Cover	1
8	A183 1403	Operation Panel - LT (A183)(RIC-NA)	1
8	A183 1411	Operation Panel - LT (A183)(RIC-SA)	1
8	A183 1405	Operation Panel - A4 (A183)(RIC)	1
8	A183 1406	Operation Panel - LT (A183)(NRG)	1
8	A183 1408	Operation Panel - A4 (A183)(NRG)	1
8	A183 1409	Operation Panel - A4 (A183)(INF)	1
8	A184 1402	Operation Panel - LT (A184)(RIC-NA)	1
8	A184 1411	Operation Panel - LT (A184)(RIC-SA)	1
8	A184 1404	Operation Panel - A4 (A184)(RIC)	1
8	A184 1406	Operation Panel - LT (A184)(NRG)	1
8	A184 1408	Operation Panel - A4 (A184)(NRG)	1
8	A184 1409	Operation Panel - A4 (A184)(INF)	1
9	A184 3890	Wire Cleaning Tool	1
10	A184 1814	Exposure Glass	1
11	A184 1475	Operation Panel Cover	1
12	A184 1372	Gas Spring Shaft - Upper Right	1
13	A184 1371	Gas Spring Shaft - Upper Left	1
14	5215 2621	Snap Ring - M6	3
15	A184 1491	Platen Cover Hinge - Left	1
16	A184 1492	Platen Cover Hinge - Right	1
17	A183 1430	Decal - Model Name (A183)(GES)	1
17	A183 1431	Decal - Model Name (A183)(NSA)	1
17	A183 1432	Decal - Model Name (A183)(SVN)	1
17	A183 1433	Decal - Model Name (A183)(REX)	1
17	A184 1430	Decal - Model Name (A184)(GES)	1
17	A184 1431	Decal - Model Name (A184)(NSA)	1

Index No.	Part No.	Description	Qty Per Assembly
17	A184 1432	Decal - Model Name (A184)(SVN)	1
17	A184 1433	Decal - Model Name (A184)(REX)	1
18	A184 8600	Decal - Symbol Explanaton - English	1
18	A184 8606	Decal - Symbol Explanation - German (INF)	1
18	A184 8607	Decal - Symbol Explanation - French (INF)	1
18	A184 8608	Decal - Symbol Explanation - Spanish (RIC-NA,SA/INF)	1
18	A184 8609	Decal - Symbol Explanation - Italian (INF)	1
18	A184 8610	Decal - Symbol Explanation - Portuguese (RIC-SA)	1
			
101	0451 3008B	Tapping Screw - M3x8	
102	0452 3012Z	Bind Tapping Screw - 3x12	
103	1106 0313	Harness Clamp	



## 2. OPTICS SECTION 1 (A183/A184)

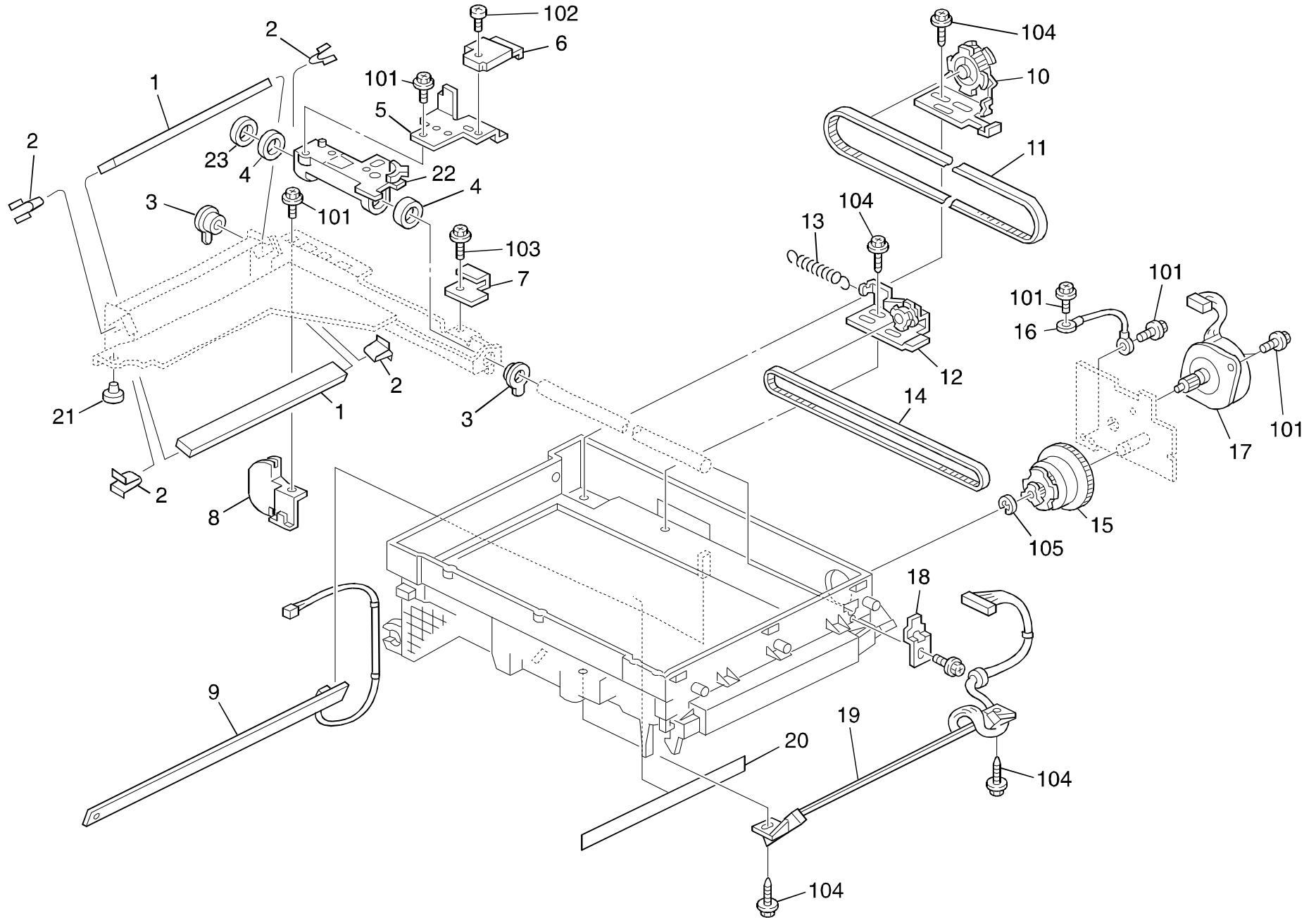


## 2. OPTICS SECTION 1 (A183/A184)

Index No.	Part No.	Description	Qty Per Assembly
1	A183 1781	Lens Cover (A183)	1
1	A184 1781	Lens Cover (A184)	1
2	A184 1651	1st Scanner Unit - 120V	1
2	A184 1652	1st Scanner Unit - 230V	1
3	A184 5309	Exposure Lamp Harness	1
4	A184 5226	Optics Colling Fan Motor - DC24V (230V)	1
5	A152 5120	Optics Control Board	1
6	A077 1745	Cover - ADS Sensor	1
7	A184 1721	Scanner Lens - 8/180	1
8	A184 1717	Scanner Lens Clamp (A184)	1
9	A184 1718	Scanner Lens Bracket (A184)	1
10	A184 1715	Lens Bracket (A184)	1
11	A184 1741	Driven Gear - 30z (A184)	1
12	A184 1746	Timing Belt - L426 (A184)	1
13	A184 1737	Cam - 44z (A184)	1
14	A184 1760	Cam Spring (A184)	1
15	A184 1736	Timing Pulley - 73Z/19Z/30Z (A184)	1
16	A184 1739	Idle Gear - 67z (A184)	1
17	A184 5210	Lens/Mirror Motor - DC24V (A184)	1
18	AW02 0075	Photointerrupter (A184)	1
19	A184 1367	Clamp	1
20	A183 1715	Lens Bracket (A183)	1
21	A184 1756	Cam Flower (A184)	1
22	A184 1752	Mirror - 4th/5th	2
23	A077 1690	Spring Plate - Mirror	6
24	A077 1746	Mirror Adjusting Screw	1
25	A184 1772	6th Mirror	1
26	AA06 3180	Adjust Spring	2
27	AA06 3523	Adjust Spring	1
28	A153 1906	Adjust Shoe	1

Index No.	Part No.	Description	Qty Per Assembly
101	0450 3030B	Tapping Screw - M3x30	
102	0450 3010B	Tapping Screw - M3x10	
103	0701 0030B	Flat Washer - M3	
104	0720 0040E	Retaining Ring - M4	
105	0313 0060B	Philips Pan Head Screw - M3x6	
106	0451 3006B	Tapping Screw - M3x6	
107	0413 0102W	Tapping Screw - M3x10	

### 3. OPTICS SECTION 2 (A183/A184)

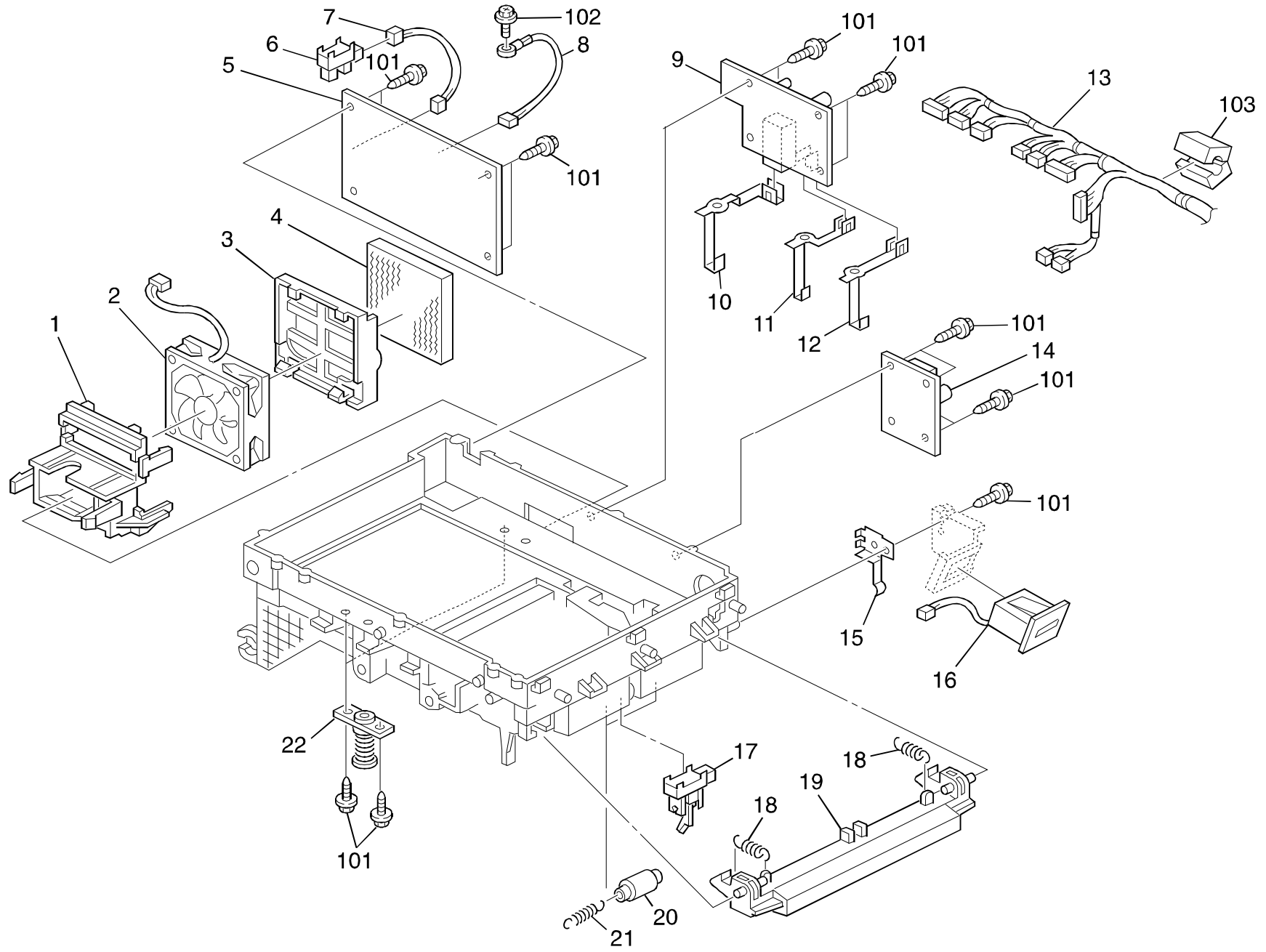


### 3. OPTICS SECTION 2 (A183/A184)

Index No.	Part No.	Description	Q ty Per Assembly
1	A184 1695	Mirror - 2nd/3rd	2
2	A077 1690	Spring Plate - Mirror	4
3	A184 1685	2nd Slider Bushing	2
4	A184 1855	Large Cleaner - Scanner Rod	2
5	A184 1676	Clamp Bracket	1
6	A184 1677	Clamp	1
7	A184 1687	Clamp	1
8	A184 1689	Harness Guide	1
9	A184 5235	Quenching Lamp	1
10	A184 1831	Drive Pulley - 44z	1
11	A184 1836	Timing Belt - L956	1
12	A184 1841	Driven Pulley - 22z	1
13	A184 1748	Tension Spring	1
14	A184 1846	Timing Belt - L530	1
15	A184 1824	Pulley - 22Z/44Z	1
16	A184 5344	Scanner Grounding Harness	1
17	A184 5205	Scanner Motor - DC24V	1
18	A184 1853	Scanner Rod Fixing Plate	1
19	A183 5230	Erase Lamp (A183)	1
19	A184 5230	Erase Lamp (A184)	1
20	A184 2091	Shielding Plate - 240x14.5	1
21	A184 1691	2nd Scanner Shoe	1
22	A184 1675	1st Scanner Bushing	1
23	A184 1854	Small Cleaner - Scanner Rod	1

Index No.	Part No.	Description	Q ty Per Assembly
101	0451 3006B	Tapping Screw - M3x6	
102	0313 0040B	Philips Pan Head Screw - M3x4	
103	0450 3006B	Tapping Screw - M3x6	
104	0450 3008B	Tapping Screw - M3x8	
105	0720 0060E	Retaining Ring - M6	

# 4. OPTICS SECTION 3 (A183/A184)



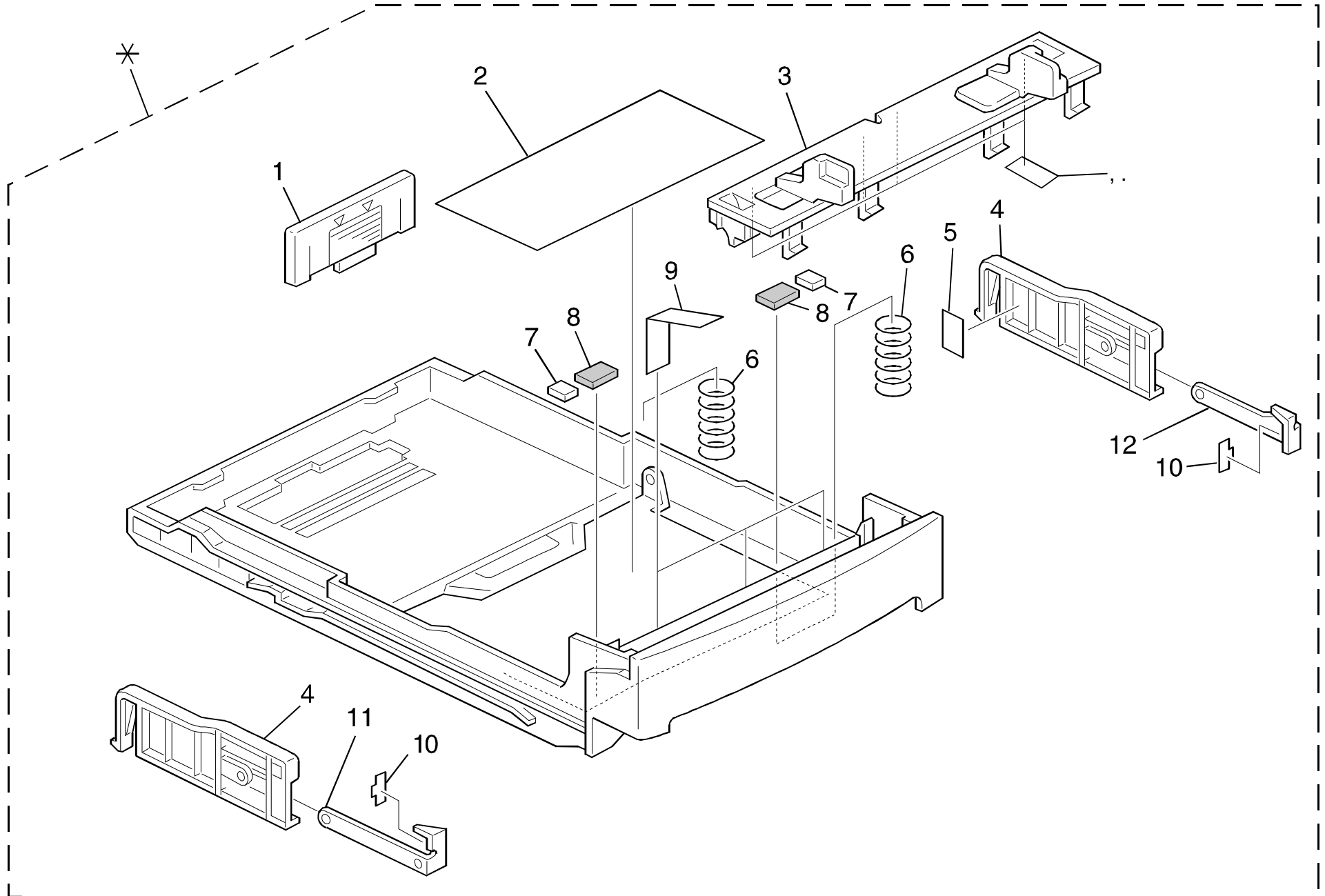
#### 4. OPTICS SECTION 3 (A183/A184)

Index No.	Part No.	Description	Qty Per Assembly
1	A184 1361	Fan Motor Holder	1
2	A184 5225	Exhaust Fan Motor - DC24V	1
3	A184 1364	Ozone Filter Holder	1
4	<b>A184 1363</b>	<b>Ozone Filter</b>	<b>1</b>
5	A183 5100	Main Control Board (A183)	1
5	A184 5100	Main Control Board (A184)	1
6	AW02 0075	Photointerrupter	1
7	A184 5341	Scanner HP Harness	1
8	AW10 0033	Thermistor	1
9	A184 5150	High Voltage Supply Board - CT/B/G	1
10	A184 2360	Terminal - Charge	1
11	A184 2362	Terminal - Bias	1
12	A184 2361	Terminal - Grid	1
13	A183 5303	Upper Main Harness (A183)	1
13	A184 5303	Upper Main Harness (A184)	1
14	A184 5140	Scanner Drive Board	1
15	A184 1376	Grounding Plate	1
16	AX31 0024	Total Counter (230V)	1
17	A184 5290	Photointerrupter	1
18	A184 1352	Release Spring	2
19	A184 1351	Lock Release Lever	1
20	A184 2585	Middle Driven Roller	2
21	A184 2586	Roller Spring	2
22	A184 4092	Pressure Spring Ass y	2




Index No.	Part No.	Description	Qty Per Assembly
101	0450 3008B	Tapping Screw - M3x8	
102	0451 3006B	Tapping Screw - M3x6	
103	1607 0576	Sleeve Core - SFC-8	

## 5. PAPER TRAY (A183/A184)



## 5. PAPER TRAY (A183/A184)

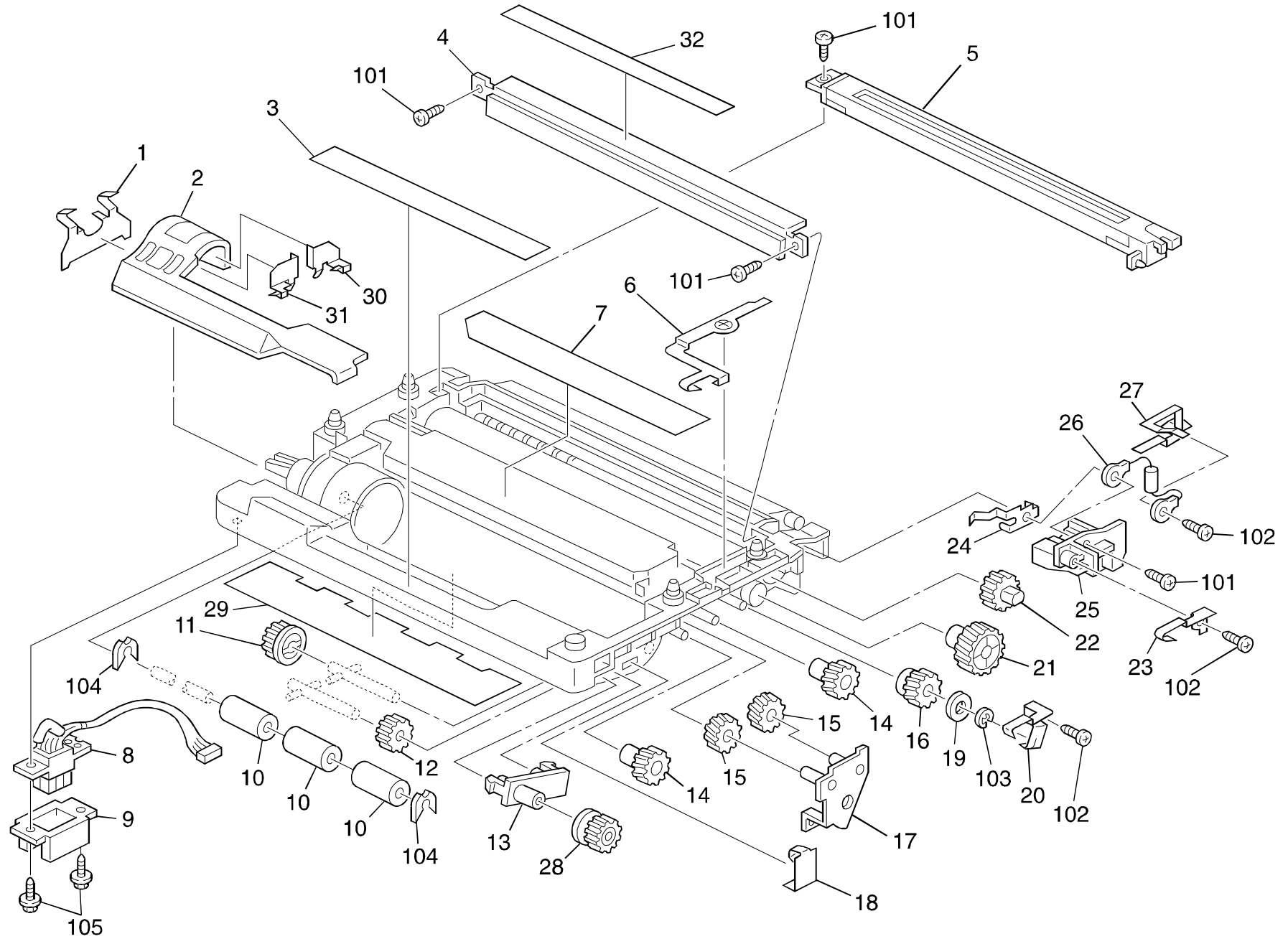
Index No.	Part No.	Description	Qty Per Assembly
*	A184 2500	Paper Tray Unit	1
1	A184 2558	Paper End Fence	1
2	A184 0456	Decal - Paper Set	1
3	A184 2504	By-pass Feed Unit	1
4	A184 2555	Side Fence	2
5	A184 2567	Decal - Paper Upper Limit	1
6	A184 2554	Bottom Plate Spring	2
7	A184 2559	Spacer	2
8	A184 2553	Bottom Plate Pad	2
9	A184 2566	Paper Feed Guide	3
10	A184 2568	Corner Separat  Seal	2
11	A184 2557	Corner Separation - Left	1
12	A184 2556	Corner Separator - Right	1
13	A184 2569	Paper Guide Mylar	4



Index No.	Part No.	Description	Qty Per Assembly



## 6. IMAGING UNIT (A183/A184)

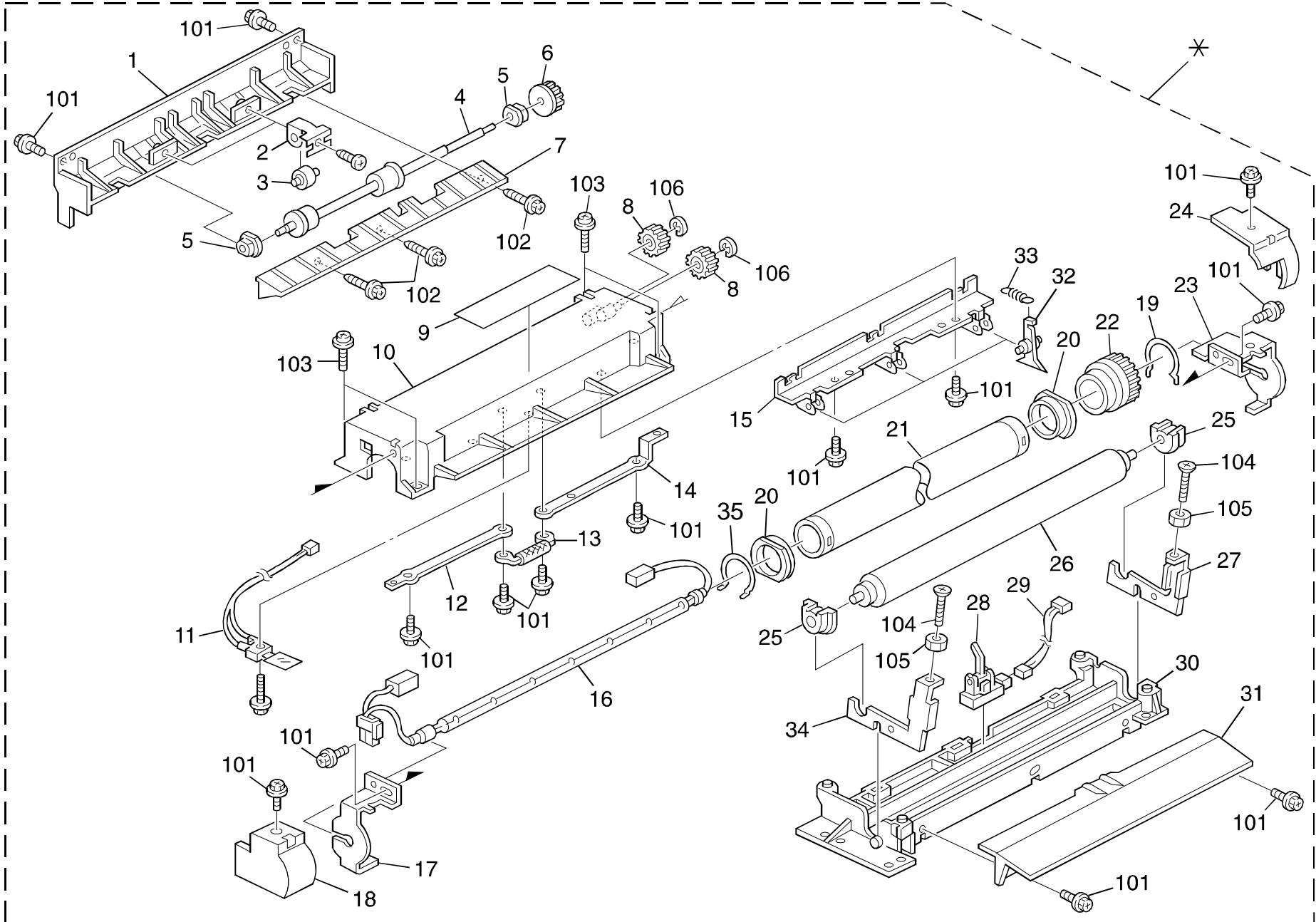


## 6. IMAGING UNIT (A183/A184)

Index No.	Part No.	Description	Qty Per Assembly
1	A184 2276	Spring Plate - Lever	1
2	A184 3430	Tonner Bottle Holder	1
3	A184 0454	Decal - OPC Guidance	1
4	A184 3550	Cleaning Blade	1
5	<b>A184 2045</b>	<b>Charge Corona Unit</b>	<b>1</b>
6	A184 2352	Grid Terminal	1
7	A184 0452	Caution Decal - Used Toner	1
8	A184 5335	Imaging Unit Connector	1
9	A184 3371	Connector Guide	3
10	A184 2610	Driven Roller	2
11	A184 3460	Drive Gear - 14z	1
12	A184 3451	Gear - 12Z	1
13	A184 3453	Bushing	1
14	A184 3328	Gear - 19Z	2
15	A184 3329	Gear - 20Z	2
16	A184 3327	Gear - 18Z	1
17	A184 3335	Idler Bushing	1
18	A184 2270	Toner Bottle Holder Plate	1
19	A184 3281	Spacer - M5	1
20	A184 2350	Bias Terminal	1
21	A184 2325	Gear - 32Z	1
22	A184 3561	Gear - 24Z	1
23	A184 2356	High Voltage Terminal	1
24	A184 2357	Charge Corona Terminal	1
25	A184 2355	Terminal Cover	1
26	A184 2359	Resistor - 3M P	1
27	A184 2365	Transfer Terminal	1
28	A184 3450	Gear - 20Z	1
29	A184 2614	Lower Guide Plate	1
30	A184 3432	Lever Spring Plate - Left	1
31	A184 3431	Lever Spring Plate - Right	1
32	A184 0453	Caution Decal - OPC	1

Index No.	Part No.	Description	Qty Per Assembly
101	0452 3008B	Tapping Screw - M3x8	
102	0452 3006B	Tapping Screw - M3x6	
103	0720 0040B	Retaining Ring - M4	
104	0805 0089	Retaining Ring - M4	

# 7. FUSING UNIT (A183/A184)

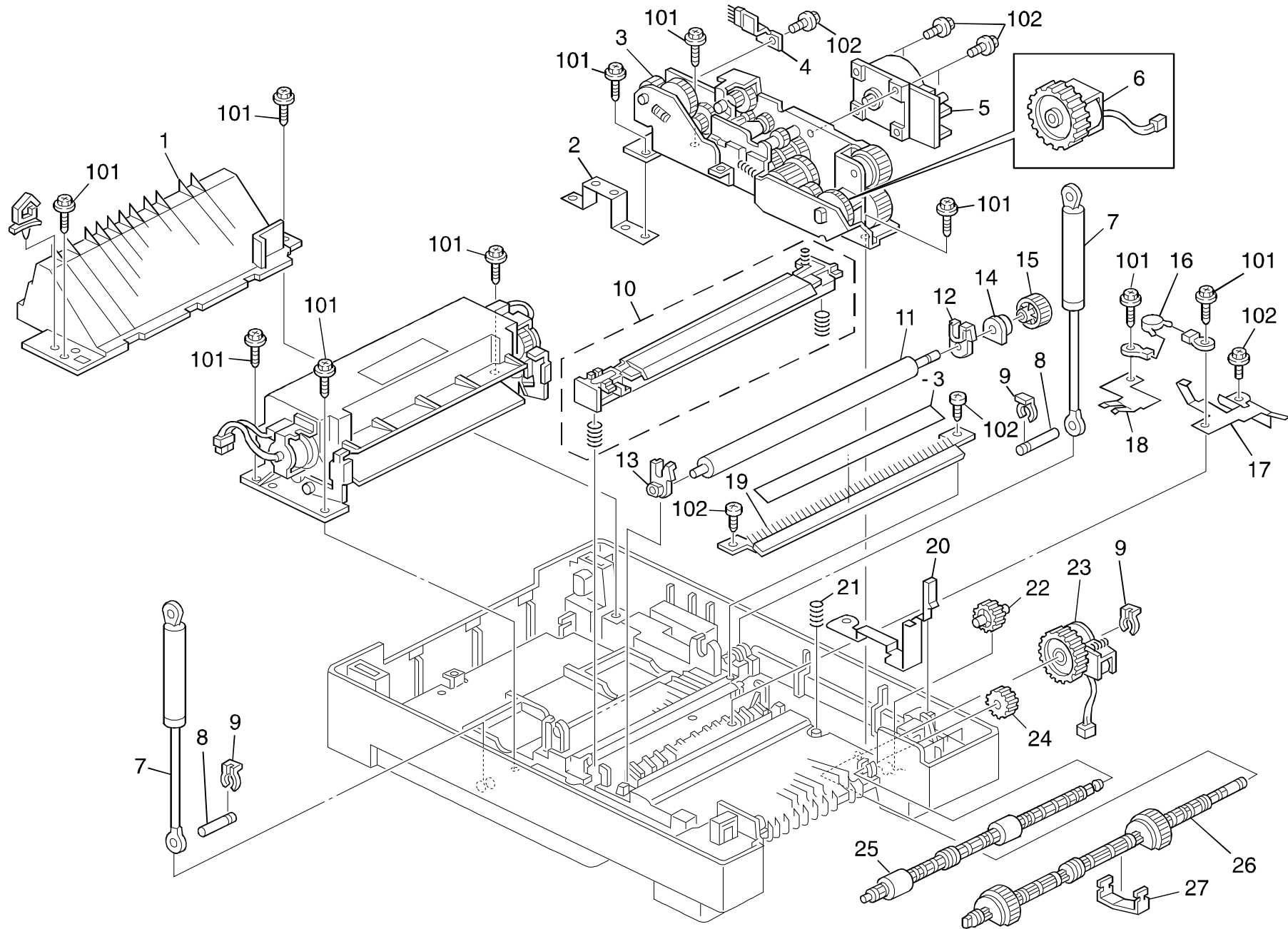


## 7. FUSING UNIT (A183/A184)

Index No.	Part No.	Description	Qty Per Assembly
*	A184 4050	Fusing Unit - 120V	1
*	A184 4051	Fusing Unit - 230V	1
1	A184 4054	Exit Cover	1
2	A184 4053	Paper Exit Roller Holder	2
3	A184 4055	Exit Driven Roller	2
4	A184 4058	Exit Drive Roller	1
5	A184 4057	Bushing	2
6	A184 4056	Gear - 22Z	1
7	A184 4059	Lower Guide Plate	1
8	A184 4064	Idle Gear - 20z	2
9	A184 0455	Decal - Misfeed Removal	1
10	A184 4061	Fusing Upper Cover	1
11	A184 4082	Thermistor	1
12	A184 4099	Terminal Plate	1
13	A184 4063	Thermofuse	1
14	A184 4074	Terminal Plate	1
15	A184 4069	Paper Stripper Bracket	1
16	A184 4106	Fusing Lamp - 120V 480W	1
16	A184 4107	Fusing Lamp - 230V 550W	1
17	A184 4065	Front Heater Holder	1
18	A184 4104	Front Heater Cover	1
19	A184 4081	Right Retaining Ring - 31	1
20	A184 4098	Bushing - 36mm	2
<b>21</b>	<b>A184 4079</b>	<b>Hot Roller</b>	<b>1</b>
22	A184 4080	Gear - 50Z	1
23	A184 4077	Right Heater Holder	1
24	A184 4103	Right Heater Cover	1
25	A184 4091	Pressure Roller Bushing	2
<b>26</b>	<b>A184 4084</b>	<b>Pressure Roller</b>	<b>1</b>
27	A184 4085	Right Pressure Arm	1
28	A184 4087	Photointerruptor	1
29	A184 5319	Exit Sensor Relay Harness	1
30	A184 4089	Fusing Lower Frame	1
31	A184 4088	Lower Entrance Guide	1
<b>32</b>	<b>A184 4072</b>	<b>Stripper Pawl</b>	<b>3</b>

Index No.	Part No.	Description	Qty Per Assembly
33	A184 4073	Stripper Pawl Spring	3
34	A184 4086	Left Pressure Arm	1
35	A184 4105	Left Retaining Ring - 31	1
101	0451 3006B	Tapping Screw - M3x6	
102	0450 3008B	Tapping Screw - M3x8	
103	0451 3010B	Tapping Screw - M3x10	
104	0324 0160W	Philips Sunken Head Screw - M4x16	
105	0710 0040	Hexagon Nut - M4	
106	0720 0040E	Retaining Ring - M4	

# 8. DRIVE SECTION (A183/A184)

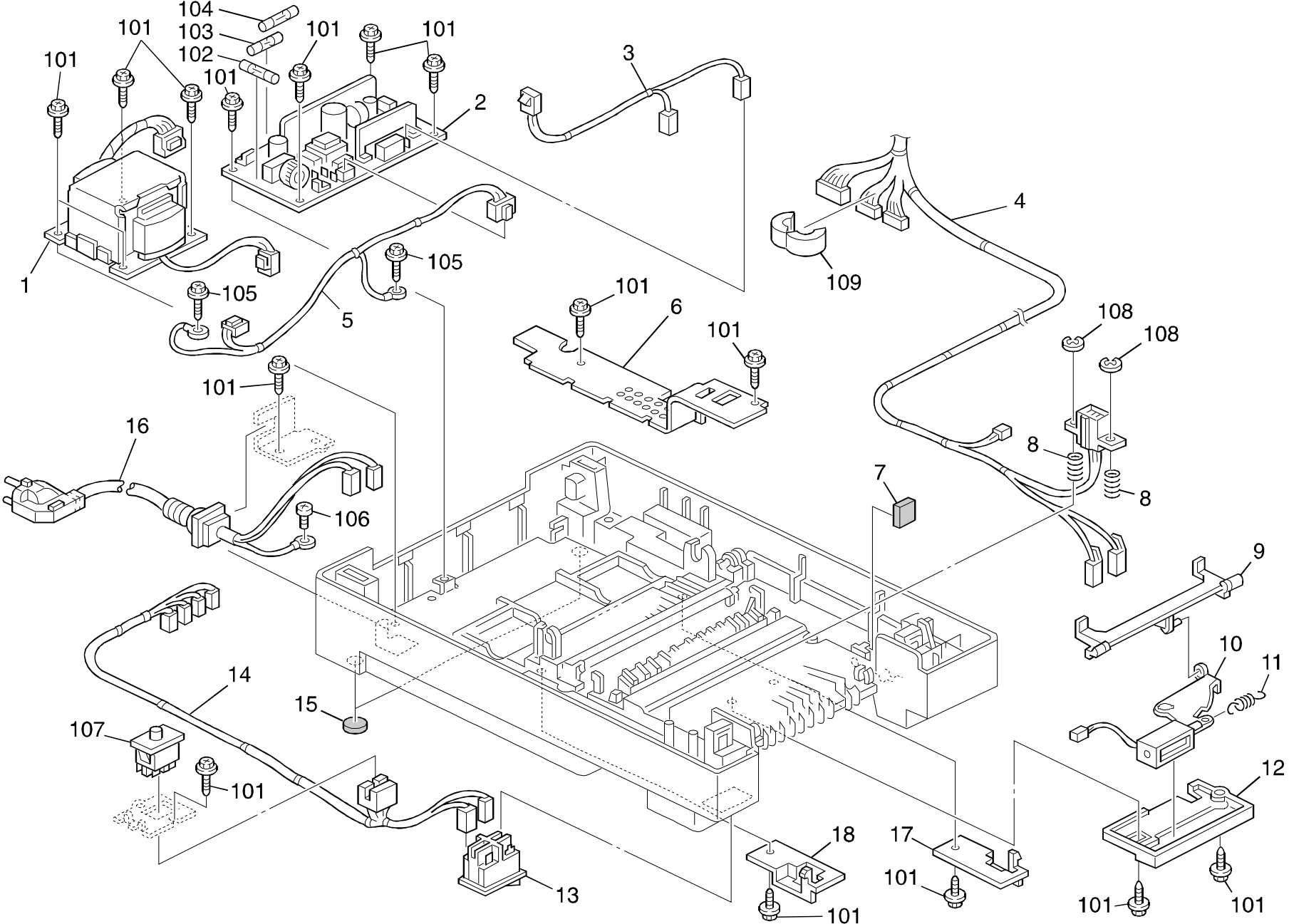


## 8. DRIVE SECTION (A183/A184)


Index No.	Part No.	Description	Qty Per Assembly
1	A184 4093	Exit Cover	1
2	A184 1328	Grounding Plate	1
3	A184 1050	Drive Unit	1
4	A184 4101	Antistatic Brush	1
5	A184 5201	Main Motor - 18W	1
6	A184 5220	Toner Supply Clutch	1
7	A184 1370	Gas Spring	2
8	A184 1334	Lower Gas Spring Shaft	2
9	5215 2621	Snap Ring - M6	3
<b>10</b>	<b>A184 3800</b>	<b>Transfer Corona Unit</b>	<b>1</b>
11	A184 2600	Registration Roller	1
12	A184 2602	Right Bushing	1
13	A184 2601	Left Bushing	1
14	A184 2604	Bushing - 6x9x4	1
15	A184 2603	Gear - 30Z	1
16	A184 3916	Varistor	1
17	A184 3911	Grounding Plate	1
18	A184 3913	Grounding Plate	1
19	A184 3915	Antistatic Brush	1
20	A184 1339	Grounding Plate - Front	1
21	A184 2453	Connector Spring	1
22	A184 2584	Idle Gear	1
23	AX20 0132	Magnetic Clutch	1
24	A184 2583	Middle Transfer Gear	1
25	A184 2580	Transport Roller Ass y	1
<b>26</b>	<b>A184 2570</b>	<b>Pick-up Roller</b>	<b>1</b>
27	A184 2573	Roller Shaft Stopper	1
28	A184 3917	Antistatic Brush Cover	1

Index No.	Part No.	Description	Qty Per Assembly
101	0450 3008B	Tapping Screw - M3x8	
102	0451 3008B	Tapping Screw - M3x8	

# 9. ELECTRICAL SECTION (A183/A184)



## 9. ELECTRICAL SECTION (A183/A184)

Index No.	Part No.	Description	Qty Per Assembly
1	A184 5552	Transformer - 120V	1
1	A184 5652	Transformer - 230V	1
2	A184 5551	Power Supply Board - 120V	1
2	A184 5651	Power Supply Board - 230V	1
3	A184 5307	Fusing Harness	1
4	A184 5302	Lower Main Harness	1
5	A184 5305	Scanner Harness	1
6	A184 1332	Inner Cover - Base	1
7	A184 1333	Cushion	1
8	A184 2450	Density Sensor Bracket	1
9	A184 2596	Stopper	1
10	A184 2595	Stopper Solenoid	1
11	A184 2592	Stripper Pawl Spring	1
12	A184 2593	Solenoid Cover	1
13	A152 5220	Main Switch	1
14	A184 5301	AC Drive Harness 	1
15	A184 1331	Rubber Foot	1
16	A184 5581	Power Supply Cord - 120V	1
16	A184 5681	Power Supply Cord - 230V	1
17	A184 1482	Rear Right Base Cover	1

Index No.	Part No.	Description	Qty Per Assembly
101	0450 3008B	Tapping Screw - M3x8	
102	1107 0874	Fuse - 10A 125V	
102	1107 0884	Fuse - 5A 250V	
103	1107 0867	Fuse - 2A 125V	
103	1107 0882	Fuse - 2A 250V	
104	1107 0855	Fuse - 8A 125V	
104	1107 0885	Fuse - 6.3A 250V	
105	0951 3006B	Philips Screw With Flat Washer-M3x6	
106	0950 4008M	Screw - M4X8	
107	1204 2334	Interlock Switch - Fail	
108	0720 0020E	Retaining Ring - M2	
109	1607 0623	Ferrite Core - TFC-16-8-13	





## 10. MAIN CONTROL BOARD (A183/A184)

### CAPACITOR

SYMBOL NO.	INDEX NO.
C100	153
C101	153
----	---
C103	157
----	---
C105	157
C106	154
C107	159
C108	157
C109	155

SYMBOL NO.	INDEX NO.
C110	155
C111	158
C112	159
C113	157
C114	157
C115	159
C116	157
C117	158
C118	158
C119	158

SYMBOL NO.	INDEX NO.
C120	158
C121	157
C122	158
C123	157
C124	157
C125	159
C126	158
C127	157
C128	157
C129	158

SYMBOL NO.	INDEX NO.
C130	157
C131	159
C132	158
C133	157
----	---
C135	157
C136	156
C137	156
C138	157
C139	158

SYMBOL NO.	INDEX NO.
C140	159
----	---
C143	157
C144	157
C145	158
C146	157
C147	159
C148	159
C149	159

SYMBOL NO.	INDEX NO.
C150	157
C151	157
C152	158
C153	157
C154	159
C155	157
C156	158

### CONNECTOR

SYMBOL NO.	INDEX NO.
CN100	104
CN101	107
CN102	106
CN103	106
CN104	101
CN105	112
CN106	105
CN107	111
CN108	102
CN109	109

### CONNECTOR

SYMBOL NO.	INDEX NO.
CN110	102
CN111	101
CN112	110
CN113	102
CN114	101
CN115	102
-----	---
CN117	101
-----	---
CN119	111

SYMBOL NO.	INDEX NO.
CN120	113
CN121	107
CN122	---
CN123	103
CN124	108
CN125	---
CN126	104

### DIODE

SYMBOL NO.	INDEX NO.
D101	120
D102	120
D103	120
D104	120
D105	119

### IC

SYMBOL NO.	INDEX NO.
IC100	126
IC101	124
IC102	123
IC103	129
IC104	3
(SOCKET)	1
IC105	4
IC106	127
(SOCKET)	114
-----	---

SYMBOL NO.	INDEX NO.
IC108	130
-----	---
IC110	131
IC111	122
IC112	129
IC113	128
IC114	121

### OSC

SYMBOL NO.	INDEX NO.
OSC100	132

### Q

SYMBOL NO.	INDEX NO.
Q100	116
Q101	116
Q102	116
Q103	116
Q104	116
Q105	116
Q106	116
Q107	115
Q108	116

## 10. MAIN CONTROL BOARD (A183/A184)

### RESISTOR

SYMBOL NO.	INDEX NO.	SYMBOL NO.	INDEX NO.	SYMBOL NO.	INDEX NO.	SYMBOL NO.	INDEX NO.	SYMBOL NO.	INDEX NO.	SYMBOL NO.	INDEX NO.	SYMBOL NO.	INDEX NO.
R100	5	R110	149	R120	133	R130	138	R140	138	R150	144	----	---
R101	146	R111	146	R121	146	R131	138	R141	146	R151	139	----	---
R102	136	R112	144	R122	2	R132	138	R142	149	R152		R162	149
R103	146	R113	142	R123	144	R133	138	R143	144	----	---	R163	149
R104	148	R114	149	R124	144	R134	138	R144	144	R154	144	R164	144
R105	138	R115	146	R125	144	R135	138	R145	138	----	---	R165	146
----	---	R116	138	R126	144	R136	138	R146	144	----	---	R166	144
R107	147	R117	141	R127	144	R137	138	R147	139	----	---	----	---
R108	138	R118	139	R128	144	R138	138	R148	144	----	---	----	---
----	---	R119	145	R129	138	R139	138	R149	139	R159	138	R169	146

### RESISTOR

SYMBOL NO.	INDEX NO.	SYMBOL NO.	INDEX NO.	SYMBOL NO.	INDEX NO.	SYMBOL NO.	INDEX NO.	SYMBOL NO.	INDEX NO.	SYMBOL NO.	INDEX NO.	SYMBOL NO.	INDEX NO.
R170	144	R180	144	R190	140	R200	146	R210	138	R220	149	R230	149
----	---	R181	144	R191	135	R201	149	----	---	R221	149	R231	149
R172	146	R182	144	R192	150	R202	150	R212	149	R222	149	R232	149
R173	138	R183	146	R193	146	R203	149	R213	146	R223	149	R233	149
----	---	----	---	R194	152	R204	146	R214		R224	149	R234	149
R175	144	R185	144	R195	151	R205	146	R215	138	R225	149	R235	149
R176	144	R186	144	R196	149	R206	143	R216	149	R226	149	R236	149
R177	144	R187	144	R197	150	R207	137	R217	149	R227	149	R237	149
R178	144	R188	135	R198	138	R208	139	R218	149	R228	149	R238	149
R179	144	R189	149	R199	146	R209	144	R219	149	R229	149	R239	149

## 10. MAIN CONTROL BOARD (A183/A184)

### RESISTOR

SYMBOL NO.	INDEX NO.
R240	149
R241	149
R242	149
R243	149
R244	149
R245	149
R246	149
R247	149
R248	149
R249	149

SYMBOL NO.	INDEX NO.
R250	149

### L

SYMBOL NO.	INDEX NO.
L102	149
L104	149

### ZD

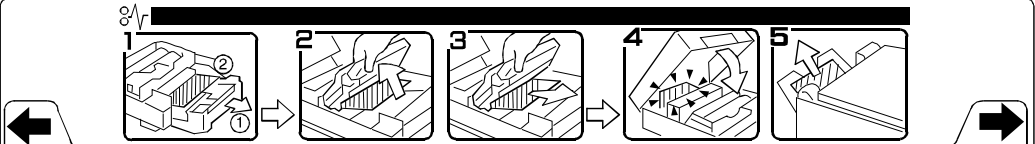
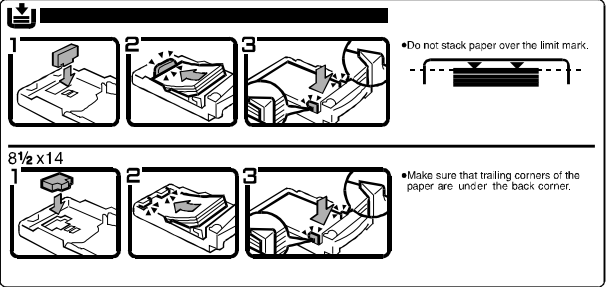
SYMBOL NO.	INDEX NO.
ZD100	117
ZD101	118

## 10. MAIN CONTROL BOARD (A183/A184)

Index No.	Part No.	Description	Qty Per Assembly
*	A183 5100	Main Controlboard (A183)	1
*	A184 5100	Main Control Board (A184)	1
1	A077 5702	IC Socket - 28P	1
2	A077 5717	Resistor - 1K P 5% 1W	1
3	A184 5104	IC - UVEPROM 512KX8 120NS	1
4	A184 5105	IC - RF5A93	1
5	A184 5108	Resistor - 330P 5% 3W	1
101	1102 4201	Connector - 2p	
102	1102 4202	Connector - 3p	
103	1102 4203	CT Header - 4p	
104	1102 4205	CT Header- 6p	
105	1102 4207	Connector - 8p	
106	1102 4208	Connector - 9p	
107	1102 4210	Connector - 11p	
108	1102 4462	CT Header(h) - 4p	
109	1102 4619	Connector - 2p	
110	1102 4621	CT Header - 4p	
111	1102 4631	CT Connector - 2p	
112	1102 4643	CT Connector - 2p	
113	1102 5303	Connector - 4p	
114	1104 0511	IC Socket - 8p - DDCF-8CS-E	
115	1400 0072	Transistor - 2SC372Y	
116	1400 0291	Transistor - 2SA1020Y	
117	1401 0694	Zener Diode - RD6.8FB	
118	1402 0277	Zener Diode - 1z12	
119	1402 1050	Silicon Diode - 100V 1A	
120	1402 1160	Diode - S5688	
121	1407 1535	IC - TD62308AP	
122	1407 2187	TTLIC - SN74LS07NS	
123	1407 2344	IC - TD62382F	
124	1407 3173	Driver - 16bit - M66311fp	
125	1407 3764	IC - TC7SU04F	
126	1407 3857	Transistor - Array - Td62381f	

Index No.	Part No.	Description	Qty Per Assembly
127	1407 4662	Eeprom - Is93c46-3i	
128	1407 4672	TTL - HD74LS368FP	
129	1408 0150	IC - ULN2003AN	
130	1408 0595	IC - NJM2904M	
131	1408 0611	IC - 3771	
132	1503 0563	Oscillator-9.83MTZ040	
133	1600 0681	Resistor - 510 P 1W 5%	
134	1601 8157	Variable Resistor - 100K P	
135	1607 0878	Inductor - BLM21A102S	
136	1611 4569	Resistor - 5.6 P 5% 1/4W	
137	1630 3101	Resistor - 100P 10W	
138	1630 3102	Resistor - 1KP 1/10W 5%	
139	1630 3103	Resistor - 10KP 1/10W 5%	
140	1630 3105	Resistor - 1M P 5% 1/10W	
141	1630 3153	Resistor - 15K P 5% 1/10W	
142	1630 3204	Resistor - 200K P 1/10W 5%	
143	1630 3222	Resistor - 2.2KP 1/10W 5%	
144	1630 3223	Resistor - 22kP - 1/10W	
145	1630 3272	Resistor - 2.7K P 5% 1/1W	
146	1630 3472	Resistor - 4.7KP 1/10W 5%	
147	1630 3512	Resistor - 5.10kP - 1/10W	
148	1630 3751	Resistor - 750P 5% 1/10W	
149	1633 0000	Resistor - 0P 1/10W:JAMPER CHIP	
150	1633 1001	Resistor - 1K P 1% 1/10W	
151	1633 1002	Resistor - 10K P 1% 1/10W	
152	1633 3901	Resistor - 3.9 P 1% 1/10W	
153	1640 5100	Capacitor - 10nF 20% 50V	
154	1640 5109	Capacitor - 1nF - 20% - 50V	
155	1640 5470	Capacitor - 47nF 20% 50V	
156	1660 3101	Capacitor - 100PF 50V	
157	1660 3471	Capacitor - 470PF 50V	
158	1660 7103	Capacitor - 10000PF 50V	
159	1660 7104	Capacitor - 100000PF 50V	

# 11. DECAL AND DOCUMENT (A183/A184)

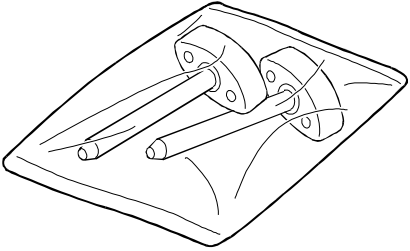
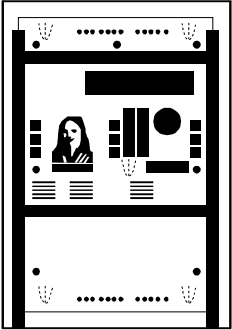

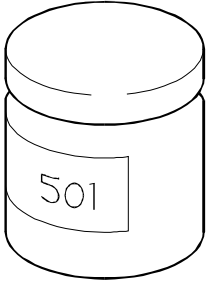
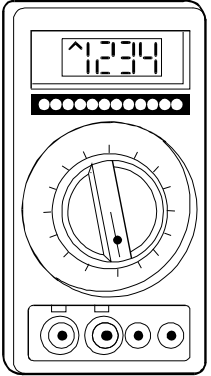
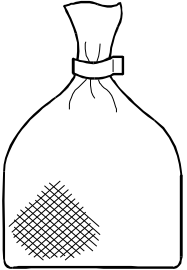
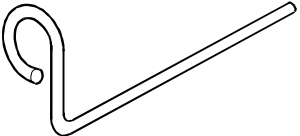
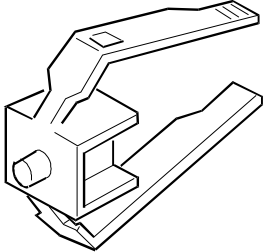
<p>1</p> <div style="border: 1px solid black; padding: 5px; margin-bottom: 5px;"> <p><b>Gestetner ****</b></p> </div> <div style="border: 1px solid black; padding: 5px; margin-bottom: 5px;"> <p><b>SAVIN</b> *****</p> </div> <div style="border: 1px solid black; padding: 5px; margin-bottom: 5px;"> <p><b>Rex-Rotary</b> *****</p> </div> <div style="border: 1px solid black; padding: 5px;"> <p><b>nashua</b> *****</p> </div>	<p>2</p> <div style="border: 1px solid black; padding: 5px;">  <p style="font-size: small; margin-top: 5px;"> <b>CAUTION PRECAUTION</b>  <b>ACHTUNG ATTEZIONE</b>  <b>ATTENTION ATENÇÃO</b> </p> <ul style="list-style-type: none"> <li>• Avoid contact. Hot surface(Less than 100°C)</li> <li>• Evite el contacto. Superficie muy caliente(Menos de 100°C)</li> <li>• Vermeiden Sie den Kontakt-Heiße Flächen(Weniger als 100 C)</li> <li>• Evitare il contatto. Superficie calda(Piu di 100°C)</li> <li>• Evite o contacto-Superficie quente(Menos de 100°C)</li> <li>• Évitez de toucher, surface chaude(Inférieur à 100 c)</li> </ul> </div> <p>3</p> <div style="border: 1px solid black; padding: 5px;">  <p style="font-size: x-small; margin-top: 5px;">             •Do not stack paper over the limit mark.              •Make sure that trailing corners of the paper are under the back corner.         </p> </div> <p>4</p> <div style="border: 1px solid black; padding: 5px; text-align: center;"> <p>Off      On</p> </div>	<p>9</p> <div style="border: 1px solid black; padding: 5px;"> <p><b>Symbols</b></p> <ul style="list-style-type: none"> <li> Add Toner</li> <li> Add Paper</li> <li> Paper Mistfeed</li> <li> Set Developer</li> <li> Charge Imaging Unit</li> <li> Call Service</li> </ul> </div>																											
<p>5</p> <div style="border: 1px solid black; padding: 5px; text-align: center;"> <table style="width:100%; border-collapse: collapse; font-size: x-small;"> <tr> <td style="border: 1px solid black; padding: 2px;">B4</td> <td style="border: 1px solid black; padding: 2px;">A5</td> <td style="border: 1px solid black; padding: 2px;">A4</td> <td style="border: 1px solid black; padding: 2px;">F</td> <td style="border: 1px solid black; padding: 2px;">B5</td> <td style="border: 1px solid black; padding: 2px;">A5</td> <td style="border: 1px solid black; padding: 2px;">A5</td> <td style="border: 1px solid black; padding: 2px;">B5</td> <td style="border: 1px solid black; padding: 2px;">F</td> <td style="border: 1px solid black; padding: 2px;">A5</td> <td style="border: 1px solid black; padding: 2px;">A4</td> <td style="border: 1px solid black; padding: 2px;">B4</td> <td style="border: 1px solid black; padding: 2px;">&gt;PS&lt;</td> </tr> <tr> <td style="border: 1px solid black; padding: 2px;">10</td> <td style="border: 1px solid black; padding: 2px;">8½</td> <td style="border: 1px solid black; padding: 2px;">8</td> <td style="border: 1px solid black; padding: 2px;"></td> <td style="border: 1px solid black; padding: 2px;">5½</td> <td style="border: 1px solid black; padding: 2px;">8</td> <td style="border: 1px solid black; padding: 2px;">8</td> <td style="border: 1px solid black; padding: 2px;">8</td> <td style="border: 1px solid black; padding: 2px;">8</td> <td style="border: 1px solid black; padding: 2px;">8</td> <td style="border: 1px solid black; padding: 2px;">8</td> <td style="border: 1px solid black; padding: 2px;">10</td> <td style="border: 1px solid black; padding: 2px;"></td> </tr> </table> </div>	B4	A5	A4	F	B5	A5	A5	B5	F	A5	A4	B4	>PS<	10	8½	8		5½	8	8	8	8	8	8	10		<p>6</p> <div style="border: 1px solid black; padding: 5px; text-align: center;"> <p>&gt;PS&lt;</p> </div>	<p>7</p> <div style="border: 1px solid black; padding: 5px; text-align: center;"> <p>8½ X 14</p> </div>	<p>8</p> <div style="border: 1px solid black; padding: 5px; text-align: center;"> <p>Operating instructions</p> </div>
B4	A5	A4	F	B5	A5	A5	B5	F	A5	A4	B4	>PS<																	
10	8½	8		5½	8	8	8	8	8	8	10																		
<p>10</p> <div style="border: 1px solid black; padding: 5px;"> <div style="display: flex; justify-content: space-between;"> <div style="border: 1px solid black; padding: 5px;"> <p><b>CAUTION</b>  <b>ACHTUNG</b>  <b>ATTENTION</b>  <b>ATTENZIONE</b>  <b>ATENCIÓN</b>  <b>AVISO</b></p> </div> <div style="border: 1px solid black; padding: 5px;"> </div> </div> <div style="text-align: right; padding-right: 5px;"> <p>&gt;PS&lt;</p> </div> </div>																													
<p>11</p> <div style="border: 1px solid black; padding: 5px;"> <div style="display: flex; justify-content: space-between;"> <div style="border: 1px solid black; padding: 5px;"> </div> <div style="font-size: x-small; padding: 0 10px;"> <p>Do not touch the blue material(OPC).      Ne pas toucher la matiere bleue(OPC).      Non toccare il materiale blu(OPC).                  Berühren Sie das Blaumaterial(OPC)nicht. No toque la pieza azul(OPC).      Nao toque no material azul(OPC).</p> </div> <div style="text-align: right; padding-right: 5px;"> <p>&gt;PS&lt;</p> </div> </div> </div>																													
<p>12</p> <div style="border: 1px solid black; padding: 5px; text-align: right;"> <p>&gt;PS&lt;</p> </div>																													

## 11. DECAL AND DOCUMENT (A183/A184)

Index No.	Part No.	Description	Qty Per Assembly
1	A183 1430	Decal - Model Name (A183)(GES)	1
1	A183 1431	Decal - Model Name (A183)(NSA)	1
1	A183 1432	Decal - Model Name (A183)(SVN)	1
1	A183 1433	Decal - Model Name (A183)(REX)	1
1	A184 1430	Decal - Model Name (A184)(GES)	1
1	A184 1431	Decal - Model Name (A184)(NSA)	1
1	A184 1432	Decal - Model Name (A184)(SVN)	1
1	A184 1433	Decal - Model Name (A184)(REX)	1
2	A184 0455	Decal - Misfeed Removal	1
3	A184 0456	Decal - Paper Set	1
4	A184 1338	Decal - Main Switch (120V)	1
4	A184 1354	Decal - Main Switch (230V)	1
5	A184 1472	Decal - Original Size (RIC-NA)	1
5	A184 1476	Decal - Original Size	1
6	A184 2277	Decal - Imageing Unit	1
7	A184 2567	Decal - Paper Upper Limit	1
8	A183 8608	Operating Instructions - Eng. Asia	1
8	A183 8632	Operating Instructions - French LT	1
8	A183 8634	Operating Instructions - Spanish LT	1
8	A183 8636	Operating Instructions - Portuguese LT	1
8	A183 8637	Operating Instructions - English LT	1
8	A183 8644	Operating Instructions - Spanish LT	1
8	A183 8647	Operating Instructions - English LT	1
8	A183 8660	Operating Instructions - English A4	1
8	A183 8661	Operating Instructions - German A4	1
8	A183 8662	Operating Instructions - French A4	1
8	A183 8663	Operating Instructions - Italian A4	1
8	A183 8664	Operating Instructions - Spanish A4	1
8	A183 8690	Operating Instructions - English A4	1
8	A183 8697	Operating Instructions - English LT	1
9	A184 8600	Decal - Symbol Explanaton - English	1
9	A184 8606	Decal - Symbol Explanaton - German (INF)	1
9	A184 8607	Decal - Symbol Explanaton - French (INF)	1
9	A184 8608	Decal - Symbol Explanaton - Spanish (RIC-NA,SA/INF)	1

Index No.	Part No.	Description	Qty Per Assembly
9	A184 8609	Decal - Symbol Explanaton - Italian (INF)	1
9	A184 8610	Decal - Symbol Explanaton - Portuguese (RIC-NA)	1
10	A184 0452	Caution Decal - Used Toner	1
11	A184 0453	Caution Decal - OPC	1
12	A184 0454	Decal - OPC Guidance	1

## 12. SPECIAL TOOLS AND LUBRICATIONS (A183/A184)

1 	2 	3 	4 
5 	6 	2 	3 

## 12. SPECIAL TOOLS AND LUBRICATIONS (A183/A184)

Index No.	Part No.	Description	Qty Per Assembly
1	A184 9501	Optics Adjustment Tool	1
2	5214 9500	Test Chart OS-A4 (10 pcs/set)	1
2	5214 9501	Test Chart OS-A4 (100 pcs/set)	1
3	5442 9103	Launa Oil 40	1
4	5203 9501	Grease 501	1
5	5420 9507	Digital Multimeter - Beckman	1
6	5442 9101	Setting Powder	1
7	A184 1991	Scanner Locking Pin	2
8	A184 1993	4th/5th Mirror Lock Tool	1

Index No.	Part No.	Description	Qty Per Assembly



# **PARTS INDEX**

## PM Parts Index

Section Name	Part No.	Description in Service Manual	Description in Parts Catalog	Q ty Per Assembly	Page and Index No
OPTICS SECTION 3 (A183/A184)	A184 1363	Ozone Filter	Ozone Filter	1	11- 4
IMAGING UNIT (A183/A184)	A184 2045	Corona Wiers	Charge Corona Unit	1	15- 5
FUSING UNIT (A183/A184)	A184 4072	Stripper Pawls	Stripper Pawl	3	17- 32
	A184 4079	Hot Roller	Hot Roller	1	17- 21
	A184 4084	Pressure Roller	Pressure Roller	1	17- 26
DRIVE SECTION (A183/A184)	A184 2570	Pick-up Roller	Pick-up Roller	1	19- 26
	A184 3800	Corona Wiers	Transfer Corona Unit	1	19- 10

Part No.	Description	Page and Index No.
A183 1403	Operation Panel - LT (A183)(RIC-NA)	5- 8
A183 1405	Operation Panel - A4 (A183)(RIC)	5- 8
A183 1406	Operation Panel - LT (A183)(NRG)	5- 8
A183 1408	Operation Panel - A4 (A183)(NRG)	5- 8
A183 1409	Operation Panel - A4 (A183)(INF)	5- 8
A183 1411	Operation Panel - LT (A183)(RIC-SA)	5- 8
A183 1430	Decal - Model Name (A183)(GES)	5- 17
A183 1430	Decal - Model Name (A183)(GES)	27- 1
A183 1431	Decal - Model Name (A183)(NSA)	5- 17
A183 1431	Decal - Model Name (A183)(NSA)	27- 1
A183 1432	Decal - Model Name (A183)(SVN)	5- 17
A183 1432	Decal - Model Name (A183)(SVN)	27- 1
A183 1433	Decal - Model Name (A183)(REX)	5- 17
A183 1433	Decal - Model Name (A183)(REX)	27- 1
A183 1715	Lens Bracket (A183)	7- 20
A183 1781	Lens Cover (A183)	7- 1
A183 5100	Main Control Board (A183)	11- 5
A183 5100	Main Controlboard (A183)	25- *
A183 5230	Erase Lamp (A183)	9- 19
A183 5303	Upper Main Harness (A183)	11- 13
A183 8608	Operating Instructions - Eng. Asia	27- 8
A183 8632	Operating Instructions - French LT	27- 8
A183 8634	Operating Instructions - Spanish LT	27- 8
A183 8636	Operating Instructions - Portuguese LT	27- 8
A183 8637	Operating Instructions - English LT	27- 8
A183 8644	Operating Instructions - Spanish LT	27- 8
A183 8647	Operating Instructions - English LT	27- 8
A183 8660	Operating Instructions - English A4	27- 8
A183 8661	Operating Instructions - German A4	27- 8
A183 8662	Operating Instructions - French A4	27- 8
A183 8663	Operating Instructions - Italian A4	27- 8
A183 8664	Operating Instructions - Spanish A4	27- 8
A183 8690	Operating Instructions - English A4	27- 8
A183 8697	Operating Instructions - English LT	27- 8

Part No.	Description	Page and Index No
AA06 3180	Adjust Spring	7- 26
AA06 3523	Adjust Spring	7- 27
AW02 0075	Photointerrupter (A184)	7- 18
AW02 0075	Photointerrupter	11- 6
AW10 0033	Thermistor	11- 8
AX20 0132	Magnetic Clutch	19- 23
AX31 0024	Total Counter (230V)	11- 16

Part No.	Description	Page and Index No.
A077 1690	Spring Plate - Mirror	7- 23
A077 1690	Spring Plate - Mirror	9- 2
A077 1745	Cover - ADS Sensor	7- 6
A077 1746	Mirror Adjusting Screw	7- 24
A077 5702	IC Socket - 28P	25- 1
A077 5717	Resistor - 1K P 5% 1W	25- 2
A152 5120	Optics Control Board	7- 5
A152 5220	Main Switch	21- 13
A153 1906	Adjust Shoe	7- 28
A184 0452	Caution Decal - Used Toner	15- 7
A184 0452	Caution Decal - Used Toner	27- 10
A184 0453	Caution Decal - OPC	15- 32
A184 0453	Caution Decal - OPC	27- 11
A184 0454	Decal - OPC Guidance	15- 3
A184 0454	Decal - OPC Guidance	27- 12
A184 0455	Decal - Misfeed Removal	17- 9
A184 0455	Decal - Misfeed Removal	27- 2
A184 0456	Decal - Paper Set	13- 2
A184 0456	Decal - Paper Set	27- 3
A184 1050	Drive Unit	19- 3
A184 1328	Grounding Plate	19- 2
A184 1331	Rubber Foot	21- 15
A184 1332	Inner Cover - Base	21- 6
A184 1333	Cushion	21- 7
A184 1334	Lower Gas Spring Shaft	19- 8
A184 1338	Decal - Main Switch (120V)	27- 4
A184 1339	Grounding Plate - Front	19- 20
A184 1351	Lock Release Lever	11- 19
A184 1352	Release Spring	11- 18
A184 1354	Decal - Main Switch (230V)	27- 4
A184 1361	Fan Motor Holder	11- 1
A184 1363	Ozone Filter	11- 4
A184 1364	Ozone Filter Holder	11- 3
A184 1367	Clamp	7- 19
A184 1370	Gas Spring	19- 7

Part No.	Description	Page and Index No.
A184 1371	Gas Spring Shaft - Upper Left	5- 13
A184 1372	Gas Spring Shaft - Upper Right	5- 12
A184 1376	Grounding Plate	11- 15
A184 1402	Operation Panel - LT (A184)(RIC-NA)	5- 8
A184 1404	Operation Panel - A4 (A184)(RIC)	5- 8
A184 1406	Operation Panel - LT (A184)(NRG)	5- 8
A184 1408	Operation Panel - A4 (A184)(NRG)	5- 8
A184 1409	Operation Panel - A4 (A184)(INF)	5- 8
A184 1411	Operation Panel - LT (A184)(RIC-SA)	5- 8
A184 1430	Decal - Model Name (A184)(GES)	5- 17
A184 1430	Decal - Model Name (A184)(GES)	27- 1
A184 1431	Decal - Model Name (A184)(NSA)	5- 17
A184 1431	Decal - Model Name (A184)(NSA)	27- 1
A184 1432	Decal - Model Name (A184)(SVN)	5- 17
A184 1432	Decal - Model Name (A184)(SVN)	27- 1
A184 1433	Decal - Model Name (A184)(REX)	5- 17
A184 1433	Decal - Model Name (A184)(REX)	27- 1
A184 1470	Upper Cover	5- 7
A184 1471	Upper Copy Tray	5- 3
A184 1472	Decal - Original Size (RIC-NA)	5- 4
A184 1472	Decal - Original Size (RIC-NA)	27- 5
A184 1473	Decal - Original Size	5- 4
A184 1473	Position Cover	5- 5
A184 1474	Shielding Cover	5- 6
A184 1475	Operation Panel Cover	5- 11
A184 1476	Decal - Original Size	27- 5
A184 1480	Platen cover	5- 1
A184 1481	Platen Cover Sheet	5- 2
A184 1482	Rear Right Base Cover	21- 17
A184 1486	Platen Cover (RIC-NA)	5- 1
A184 1491	Platen Cover Hinge - Left	5- 15
A184 1492	Platen Cover Hinge - Right	5- 16
A184 1651	1st Scanner Unit - 120V	7- 2
A184 1652	1st Scanner Unit - 230V	7- 2
A184 1675	1st Scanner Bushing	9- 22

Part No.	Description	Page and Index No.
A184 1676	Clamp Bracket	9- 5
A184 1677	Clamp	9- 6
A184 1685	2nd Slider Bushing	9- 3
A184 1687	Clamp	9- 7
A184 1689	Harness Guide	9- 8
A184 1691	2nd Scanner Shoe	9- 21
A184 1695	Mirror - 2nd/3rd	9- 1
A184 1715	Lens Bracket (A184)	7- 10
A184 1717	Scanner Lens Clamp (A184)	7- 8
A184 1718	Scanner Lens Bracket (A184)	7- 9
A184 1721	Scanner Lens - 8/180	7- 7
A184 1736	Timing Pulley - 73Z/19Z/30Z (A184)	7- 15
A184 1737	Cam - 44z (A184)	7- 13
A184 1739	Idle Gear - 67z (A184)	7- 16
A184 1741	Driven Gear - 30z (A184)	7- 11
A184 1746	Timing Belt - L426 (A184)	7- 12
A184 1748	Tension Spring	9- 13
A184 1752	Mirror - 4th/5th	7- 22
A184 1756	Cam Flower (A184)	7- 21
A184 1760	Cam Spring (A184)	7- 14
A184 1772	6th Mirror	7- 25
A184 1781	Lens Cover (A184)	7- 1
A184 1814	Exposure Glass	5- 10
A184 1824	Pulley - 22Z/44Z	9- 15
A184 1831	Drive Pulley - 44z	9- 10
A184 1836	Timing Belt - L956	9- 11
A184 1841	Driven Pulley - 22z	9- 12
A184 1846	Timing Belt - L530	9- 14
A184 1853	Scanner Rod Fixing Plate	9- 18
A184 1854	Small Cleaner - Scanner Rod	9- 23
A184 1855	Large Cleaner - Scanner Rod	9- 4
A184 1991	Scanner Locking Pin	29- 7
A184 1993	4th/5th Mirror Lock Tool	29- 8
A184 2045	Charge Corona Unit	15- 5
A184 2091	Shielding Plate - 240x14.5	9- 20

Part No.	Description	Page and Index No
A184 2270	Toner Bottle Holder Plate	15- 18
A184 2276	Spring Plate - Lever	15- 1
A184 2277	Decal - Imageing Unit	27- 6
A184 2325	Gear - 32Z	15- 21
A184 2350	Bias Terminal	15- 20
A184 2352	Grid Terminal	15- 6
A184 2355	Terminal Cover	15- 25
A184 2356	High Voltage Terminal	15- 23
A184 2357	Charge Corona Terminal	15- 24
A184 2359	Resistor - 3M P	15- 26
A184 2360	Terminal - Charge	11- 10
A184 2361	Terminal - Grid	11- 12
A184 2362	Terminal - Bias	11- 11
A184 2365	Transfer Terminal	15- 27
A184 2450	Density Sensor Bracket	21- 8
A184 2453	Connector Spring	19- 21
A184 2500	Paper Tray Unit	13- 0
A184 2504	By-pass Feed Unit	13- 3
A184 2553	Bottom Plate Pad	13- 8
A184 2554	Bottom Plate Spring	13- 6
A184 2555	Side Fence	13- 4
A184 2556	Corner Separator - Right	13- 12
A184 2557	Corner Separation - Left	13- 11
A184 2558	Paper End Fence	13- 1
A184 2559	Spacer	13- 7
A184 2566	Paper Feed Guide	13- 9
A184 2567	Decal - Paper Upper Limit	13- 5
A184 2567	Decal - Paper Upper Limit	27- 7
A184 2568	Corner Separation Seal	13- 10
A184 2569	Paper Guide Mylar	13- 13
A184 2570	Pick-up Roller	19- 26
A184 2573	Roller Shaft Stopper	19- 27
A184 2580	Transport Roller Ass y	19- 25
A184 2583	Middle Transfer Gear	19- 24
A184 2584	Idle Gear	19- 22

Part No.	Description	Page and Index No.
A184 2585	Middle Driven Roller	11- 20
A184 2586	Roller Spring	11- 21
A184 2592	Stripper Pawl Spring	21- 11
A184 2593	Solenoid Cover	21- 12
A184 2595	Stopper Solenoid	21- 10
A184 2596	Stopper	21- 9
A184 2600	Registration Roller	19- 11
A184 2601	Left Bushing	19- 13
A184 2602	Right Bushing	19- 12
A184 2603	Gear - 30Z	19- 15
A184 2604	Bushing - 6x9x4	19- 14
A184 2610	Driven Roller	15- 10
A184 2614	Lower Guide Plate	15- 29
A184 3281	Spacer - M5	15- 19
A184 3327	Gear - 18Z	15- 16
A184 3328	Gear - 19Z	15- 14
A184 3329	Gear - 20Z	15- 15
A184 3335	Idler Bushing	15- 17
A184 3371	Connector Guide	15- 9
A184 3430	Tonner Bottle Holder	15- 2
A184 3431	Lever Spring Plate - Right	15- 31
A184 3432	Lever Spring Plate - Left	15- 30
A184 3450	Gear - 20Z	15- 28
A184 3451	Gear - 12Z	15- 12
A184 3453	Bushing	15- 13
A184 3460	Drive Gear - 14z	15- 11
A184 3550	Cleaning Blade	15- 4
A184 3561	Gear - 24Z	15- 22
A184 3800	Transfer Corona Unit	19- 10
A184 3890	Wire Cleaning Tool	5- 9
A184 3911	Grounding Plate	19- 17
A184 3913	Grounding Plate	19- 18
A184 3915	Antistatic Brush	19- 19
A184 3916	Varistor	19- 16
A184 3917	Antistatic Brush Cover	19- 28

Part No.	Description	Page and Index No
A184 4050	Fusing Unit - 120V	17- 0
A184 4051	Fusing Unit - 230V	17- 0
A184 4053	Paper Exit Roller Holder	17- 2
A184 4054	Exit Cover	17- 1
A184 4055	Exit Driven Roller	17- 3
A184 4056	Gear - 22Z	17- 6
A184 4057	Bushing	17- 5
A184 4058	Exit Drive Roller	17- 4
A184 4059	Lower Guide Plate	17- 7
A184 4061	Fusing Upper Cover	17- 10
A184 4063	Thermofuse	17- 13
A184 4064	Idle Gear - 20z	17- 8
A184 4065	Front Heater Holder	17- 17
A184 4069	Paper Stripper Bracket	17- 15
A184 4072	Stripper Pawl	17- 32
A184 4073	Stripper Pawl Spring	17- 33
A184 4074	Terminal Plate	17- 14
A184 4077	Right Heater Holder	17- 23
A184 4079	Hot Roller	17- 21
A184 4080	Gear - 50Z	17- 22
A184 4081	Right Retaining Ring - 31	17- 19
A184 4082	Thermistor	17- 11
A184 4084	Pressure Roller	17- 26
A184 4085	Right Pressure Arm	17- 27
A184 4086	Left Pressure Arm	17- 34
A184 4087	Photointerruptor	17- 28
A184 4088	Lower Entrance Guide	17- 31
A184 4089	Fusing Lower Frame	17- 30
A184 4091	Pressure Roller Bushing	17- 25
A184 4092	Pressure Spring Ass y	11- 22
A184 4093	Exit Cover	19- 1
A184 4098	Bushing - 36mm	17- 20
A184 4099	Terminal Plate	17- 12
A184 4101	Antistatic Brush	19- 4
A184 4103	Right Heater Cover	17- 24

Part No.	Description	Page and Index No.
A184 4104	Front Heater Cover	17- 18
A184 4105	Left Retaining Ring - 31	17- 35
A184 4106	Fusing Lamp - 120V 480W	17- 16
A184 4107	Fusing Lamp - 230V 550W	17- 16
A184 5100	Main Control Board (A184)	11- 5
A184 5100	Main Control Board (A184)	25- 0
A184 5104	IC - UVEPROM 512KX8 120NS	25- 3
A184 5105	IC - RF5A93	25- 4
A184 5108	Resistor - 330P 5% 3W	25- 5
A184 5140	Scanner Drive Board	11- 14
A184 5150	Hight Voltage Supply Board - CT/B/G	11- 9
A184 5201	Main Motor - 18W	19- 5
A184 5205	Scanner Motor - DC24V	9- 17
A184 5210	Lens/Mirror Motor - DC24V (A184)	7- 17
A184 5220	Toner Supply Clutch	19- 6
A184 5225	Exhaust Fan Motor - DC24V	11- 2
A184 5226	Optics Colling Fan Motor - DC24V (230V)	7- 4
A184 5230	Erase Lamp (A184)	9- 19
A184 5235	Quenching Lamp	9- 9
A184 5290	Photointerrupter	11- 17
A184 5301	AC Drive Harness	21- 14
A184 5302	Lower Main Harness	21- 4
A184 5303	Upper Main Harness (A184)	11- 13
A184 5305	Scanner Harness	21- 5
A184 5307	Fusing Harness	21- 3
A184 5309	Exposure Lamp Harness	7- 3
A184 5319	Exit Sensor Relay Harness	17- 29
A184 5335	Imaging Unit Connector	15- 8
A184 5341	Scanner HP Harness	11- 7
A184 5344	Scanner Grounding Harness	9- 16
A184 5551	Power Supply Board - 120V	21- 2
A184 5552	Transformer - 120V	21- 1
A184 5581	Power Supply Cord - 120V	21- 16
A184 5651	Power Supply Board - 230V	21- 2
A184 5652	Transformer - 230V	21- 1

Part No.	Description	Page and Index No
A184 5681	Power Supply Cord - 230V	21- 16
A184 8600	Decal - Symbol Explanaton - English	5- 18
A184 8600	Decal - Symbol Explanaton - English	27- 9
A184 8606	Decal - Symbol Explanation - German (INF)	5- 18
A184 8606	Decal - Symbol Explanaton - German (INF)	27- 9
A184 8607	Decal - Symbol Explanation - French (INF)	5- 18
A184 8607	Decal - Symbol Explanaton - French (INF)	27- 9
A184 8608	Decal - Symbol Explanation - Spanish	5- 18
A184 8608	Decal - Symbol Explanaton - Spanish	27- 9
A184 8609	Decal - Symbol Explanation - Italian (INF)	5- 18
A184 8609	Decal - Symbol Explanaton - Italian (INF)	27- 9
A184 8610	Decal - Symbol Explanation - Portuguese	5- 18
A184 8610	Decal - Symbol Explanaton - Portuguese	27- 9
A184 9501	Optics Adjustment Tool	29- 1
5203 9501	Grease 501	29- 4
5214 9500	Test Chart OS-A4 (10 pcs/set)	29- 2
5214 9501	Test Chart OS-A4 (100 pcs/set)	29- 2
5215 2621	Snap Ring - M6	5- 14
5215 2621	Snap Ring - M6	19- 9
5420 9507	Digital Multimeter - Beckman	29- 5
5442 9101	Setting Powder	29- 6
5442 9103	Launa Oil 40	29- 3

Part No.	Description	Page and Index No.
0313 0040B	Philips Pan Head Screw - M3x4	9-102
0313 0060B	Philips Pan Head Screw - M3x6	7-105
0324 0160W	Philips Sunken Head Screw - M4x16	17-104
0413 0102W	Tapping Screw - M3x10	7-107
0450 3006B	Tapping Screw - M3x6	9-103
0450 3008B	Tapping Screw - M3x8	9-104
0450 3008B	Tapping Screw - M3x8	11-101
0450 3008B	Tapping Screw - M3x8	17-102
0450 3008B	Tapping Screw - M3x8	19-101
0450 3008B	Tapping Screw - M3x8	21-101
0450 3010B	Tapping Screw - M3x10	7-102
0450 3030B	Tapping Screw - M3x30	7-101
0451 3006B	Tapping Screw - M3x6	7-106
0451 3006B	Tapping Screw - M3x6	9-101
0451 3006B	Tapping Screw - M3x6	11-102
0451 3006B	Tapping Screw - M3x6	17-101
0451 3008B	Tapping Screw - M3x8	5-101
0451 3008B	Tapping Screw - M3x8	19-102
0451 3010B	Tapping Screw - M3x10	17-103
0452 3006B	Tapping Screw - M3x6	15-102
0452 3008B	Tapping Screw - M3x8	15-101
0452 3012Z	Bind Tapping Screw - 3x12	5-102
0701 0030B	Flat Washer - M3	7-103
0710 0040	Hexagon Nut - M4	17-105
0720 0020E	Retaining Ring - M2	21-108
0720 0040B	Retaining Ring - M4	15-103
0720 0040E	Retaining Ring - M4	7-104
0720 0040E	Retaining Ring - M4	17-106
0720 0060E	Retaining Ring - M6	9-105
0805 0089	Retaining Ring - M4	15-104
0950 4008M	Screw - M4X8	21-106
0951 3006B	Philips Screw With Flat Washer-M3x6	21-105
1102 4201	Connector - 2p	25-101
1102 4202	Connector - 3p	25-102
1102 4203	CT Header - 4p	25-103

Part No.	Description	Page and Index No.
1102 4205	CT Header- 6p	25-104
1102 4207	Connector - 8p	25-105
1102 4208	Connector - 9p	25-106
1102 4210	Connector - 11p	25-107
1102 4462	CT Header(h) - 4p	25-108
1102 4619	Connector - 2p	25-109
1102 4621	CT Header - 4p	25-110
1102 4631	CT Connector - 2p	25-111
1102 4643	CT Connector - 2p	25-112
1102 5303	Connector - 4p	25-113
1104 0511	IC Socket - 8p - DICF-8CS-E	25-114
1106 0313	Harness Clamp	5-103
1107 0855	Fuse - 8A 125V	21-104
1107 0867	Fuse - 2A 125V	21-103
1107 0874	Fuse - 10A 125V	21-102
1107 0882	Fuse - 2A 250V	21-103
1107 0884	Fuse - 5A 250V	21-102
1107 0885	Fuse - 6.3A 250V	21-104
1204 2334	Interlock Switch - Fail	21-107
1400 0072	Transistor - 2SC372Y	25-115
1400 0291	Transistor - 2SA1020Y	25-116
1401 0694	Zener Diode - RD6.8FB	25-117
1402 0277	Zener Diode - 1z12	25-118
1402 1050	Silicon Diode - 100V 1A	25-119
1402 1160	Diode - S5688	25-120
1407 1535	IC - TD62308AP	25-121
1407 2187	TTLIC - SN74LS07NS	25-122
1407 2344	IC - TD62382F	25-123
1407 3173	Driver - 16bit - M66311fp	25-124
1407 3764	IC - TC7SU04F	25-125
1407 3857	Transistor - Array - Td62381f	25-126
1407 4662	Eeprom - Is93c46-3i	25-127
1407 4672	TTL - HD74LS368FP	25-128
1408 0150	IC - ULN2003AN	25-129
1408 0595	IC - NJM2904M	25-130



Part No.	Description	Page and Index No.
1408 0611	IC - 3771	25-131
1503 0563	Oscillator-9.83MTZ040	25-132
1600 0681	Resistor - 510 P 1W 5%	25-133
1601 8157	Variable Resistor - 100K P	25-134
1607 0576	Sleeve Core - SFC-8	11-103
1607 0623	Ferrite Core - TFC-16-8-13	21-109
1607 0878	Inductor - BLM21A102S	25-135
1611 4569	Resistor - 5.6 P 5% 1/4W	25-136
1630 3101	Resistor - 100P - 1/10W	25-137
1630 3102	Resistor - 1KP 1/10W 5%	25-138
1630 3103	Resistor - 10KP 1/10W 5%	25-139
1630 3105	Resistor - 1M P 5% 1/10W	25-140
1630 3153	Resistor - 15K P 5% 1/10W	25-141
1630 3204	Resistor - 200K P 1/10W 5%	25-142
1630 3222	Resistor - 2.2KP 1/10W 5%	25-143
1630 3223	Resistor - 22kP - 1/10W	25-144
1630 3272	Resistor - 2.7K P 5% 1/1W	25-145
1630 3472	Resistor - 4.7KP 1/10W 5%	25-146
1630 3512	Resistor - 5.10kP - 1/10W	25-147
1630 3751	Resistor - 750P 5% 1/10W	25-148
1633 0000	Resistor - 0P 1/10W:JAMPER CHIP	25-149
1633 1001	Resistor - 1K P 1% 1/10W	25-150
1633 1002	Resistor - 10K P 1% 1/10W	25-151
1633 3901	Resistor - 3.9 P 1% 1/10W	25-152
1640 5100	Capacitor - 10 $\eta$ F 20% 50V	25-153
1640 5109	Capacitor - 1 $\eta$ F - 20% - 50V	25-154
1640 5470	Capacitor - 47 $\eta$ F 20% 50V	25-155
1660 3101	Capacitor - 100PF 50V	25-156
1660 3471	Capacitor - 470PF 50V	25-157
1660 7103	Capacitor - 10000PF 50V	25-158
1660 7104	Capacitor - 100000PF 50V	25-159

Part No.	Description	Page and Index No